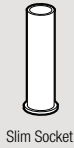


Slim Socket for Removable Posts

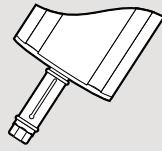
Parts List:



Slim Socket



Socket Cap



Stem Assembly



Concrete Drill and
24mm Concrete Drill Bit



Caulking Gun



Wire Brush



Loctite EA7363
Adhesive



Goggles

Required Tools

Important Notice:

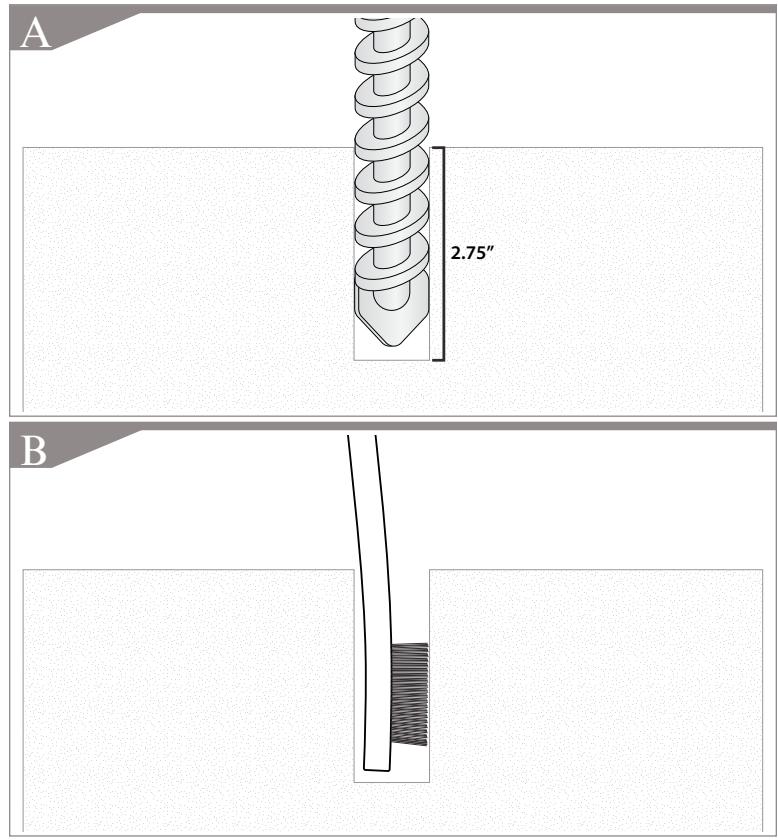
Before installation, Installer must verify that drilling of floor or floor substrate will not result in damage to sub-floor equipment or compromise structural integrity in any way. The Installer is solely responsible for verifying that floor type is appropriate for socket/post installation.

Pre-Drilling Prep:

1. Design the layout/floor plan of the queue.
Set the appropriate location of each post.
2. Using a tape measure, carefully measure and mark the distance between post centers.

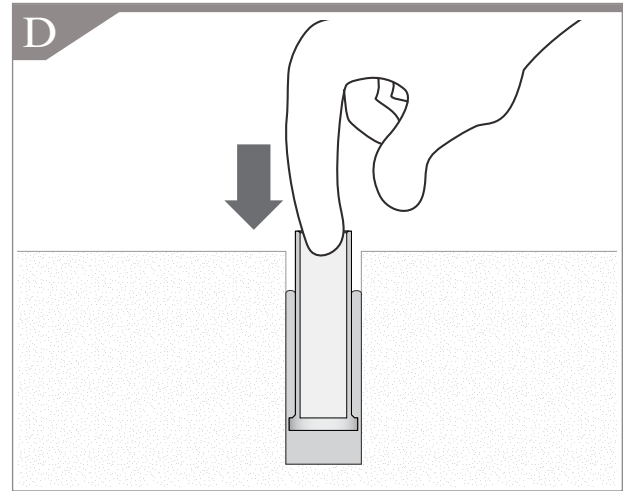
Drilling and Applying Adhesive:

3. Using a concrete drill and a 24 mm concrete drill bit, drill a hole 2.75 inch (70 mm) deep for each Slim Socket. Make sure the hole you drill is perpendicular to the floor's surface. **[Figure A]**
4. Vacuum and wipe away the debris around and inside the drilled holes. Each hole must be clean and free of dust. If you have access to an air compressor or canned compressed air, blow out dust left inside the holes after cleaning.
5. Brush each hole with a wire brush. Then vacuum again to remove any remaining dust. **[Figure B]**
6. Prep the adhesive. The Loctite EA7363 tube (not supplied) contains two components that mix together when the tube is squeezed. Before attaching the nozzle to the tube, purge a small amount of adhesive to ensure that both parts (black and white) mix. Attach the nozzle and purge enough adhesive to ensure a uniform gray color.



Slim Socket for Removable Posts

7. Inject the adhesive. Pointing the tip of the nozzle inside the hole, fill the hole up to about ½ inch (12 mm). **[Figure C]**
8. Insert the floor Socket. Place finger or cloth or rolled up paper into cavity of Socket to prevent excess adhesive from entering cavity of Socket when pushed into hole. With the opening facing upwards, turn Socket clockwise while pushing down into hole. Some adhesive will ooze out of hole. **[Figure D]**
9. Clean up excess adhesive with wet cloth, making sure none enters the Socket cavity.
10. Ensure that Socket is perpendicular to floor's surface.
11. Allow 24 hours to cure.
12. Plug the Socket with the included water-tight Socket Cap.



Stanchion Deployment:

13. Remove the protective cover from the Stanchion Insert from shipping.
14. Remove Socket Cap from the Slim Floor Socket.
15. Insert the stanchion into the Slim Floor Socket by aligning the Stanchion Insert with the Slim Floor Socket opening and pressing down with a slow clockwise turn until bottom stanchion plate is firm against the floor. Stanchion should click into place, forming a water-tight seal. **[Figure E]**
16. Rotate posts in the desired direction. **[Figure F]**

