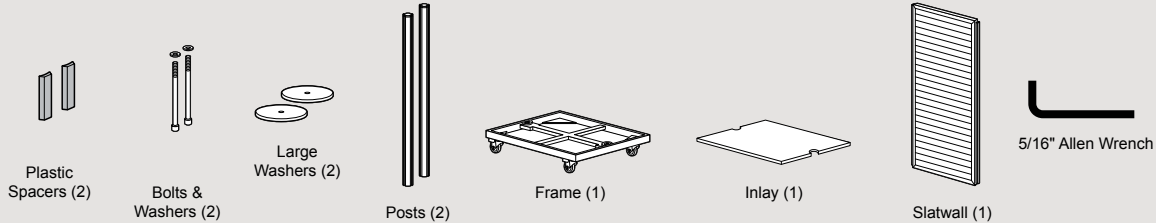
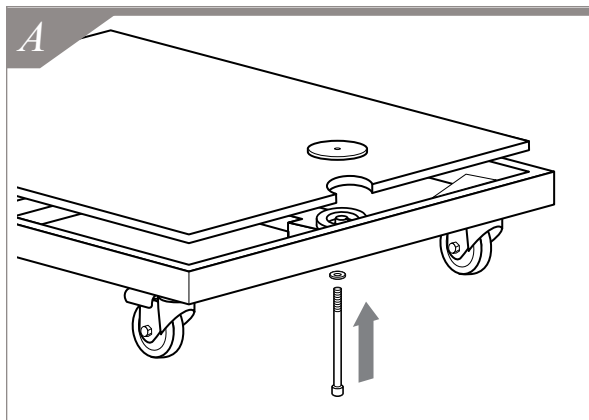


NeXtrac® Portable Gondola

Parts List:

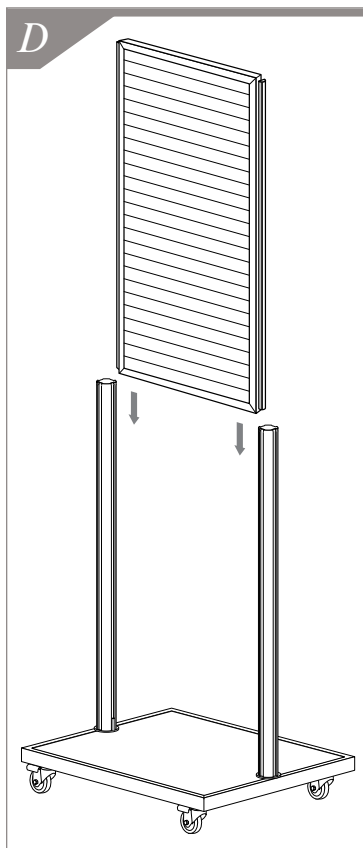
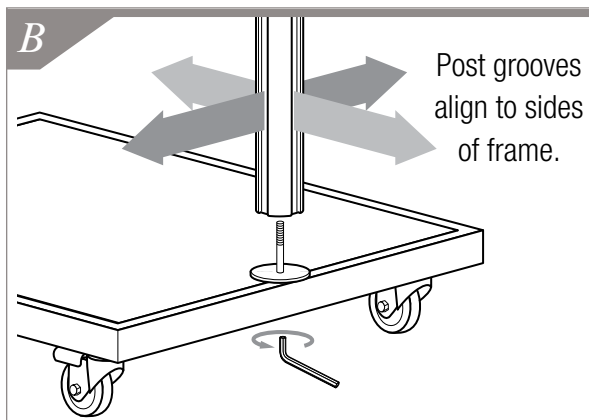


Required Tools



1. Position Frame with Casters down to floor. Place Inlay into Frame and be sure the sticker with "this side up" faces upward. Remove the sticker after assembly. Slide Bolt with Washer through Frame and Inlay. *See Figure A.*

2. Place Large Washer over Bolt and thread Bolt into Post, using 5/16" Allen Wrench (provided), ensuring post grooves align square to assembly. Tighten bolts about halfway. *See Figure B.*



3. Insert Plastic Spacer into the inside groove of post where you will be attaching the Slatwall Panel. Slide straight down the post's groove until it meets the base of the Post. *See Figure C.*

4. Repeat steps 1–3 for second Post.

5. For safety, two people should perform the following step. Insert the Slatwall's dovetail edges into each post's groove. Slide straight down until the Slatwall Panel meets the Plastic Spacers. *See Figure D.*

6. Make sure the top of the frame is flush with the post's cap. Then tighten bolts fully.

