

Mounting Magnetic Base –Alternate Method

MOUNTING TO EXTREMELY POROUS SURFACES

Parts List:



Post



Steel Floor Plate



3M Hybrid Sealant

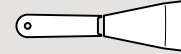
Tools Required



Goggles



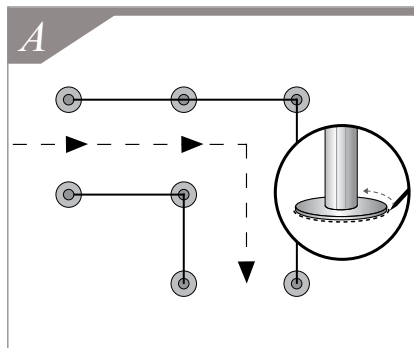
Caulking Gun



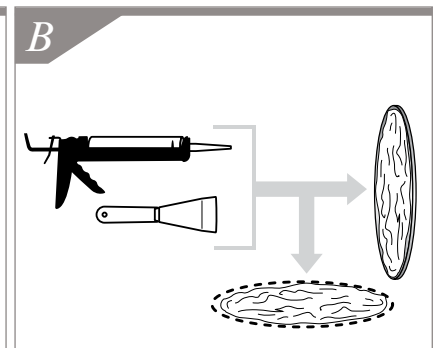
Spackle Knife

Special Note: The 3M adhesive provided with this product is industrial-strength and once applied, cannot be repositioned. Read 3M #760 MSDS before beginning installation.

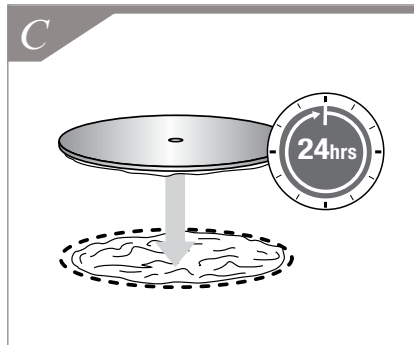
- 1. Prepare the flooring:** Porous surfaces (wood, particleboard, concrete, etc.) need to be sealed to provide a unified surface. Surfaces should be free from grease, mold, oil, water/condensation, and other contaminants that may affect the adhesion of the sealant. Abrading with 180 to 220 grit abrasive followed by a solvent wipe will improve bond strength. Suitable solvents include 3M Adhesive Remover, MEK, isopropyl alcohol, or acetone.*



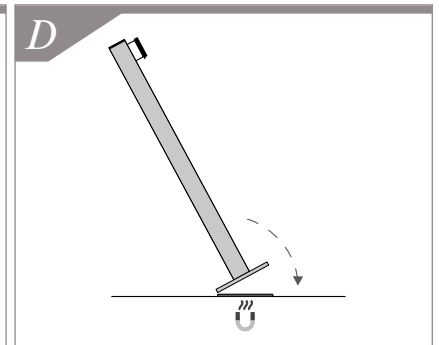
- 2. Determine the queue configuration:** Position all posts prior to applying the adhesive and mark the floor for each post's position. (Illustration A).



3. Apply 3M Hybrid Sealant to Floor and Steel Plate:



- A.** Puncture seal in cartridge nozzle and remove the pull-tab seal at the bottom of cartridge. Load and secure cartridge into caulk gun (not provided). Cut nozzle to desired size and shape to increase flow.
- B.** Disperse sealant from caulk gun to marked queue location on the floor and to the bottom of the Steel Floor Plate. Entire surface coverage with sealant is required. Spread sealant uniformly with spackle knife. (Illustration B).



- 4.** Adhere the Steel Floor Plate to marked queue location and allow to cure for 24 hours, without the Post attached. (Optional: Place a weight onto steel plate during cure time) (Illustration C)

- 5.** After 24 Hours of cure time, determine the belt orientation, align edge of base to Receiver Plate, and rock post into place (Illustration D).

Cleanup: While adhesive is still soft, cleaning can be done with the same solvents used for surface preparation. If adhesive is already cured removal is done mechanically with razor knife or 3M Scotch-Brite Adhesive Removal Disc.

Steel Plate Removal: Carefully slide piano wire under edge of floor plate to cut sealant bond. Lift the plate from the floor by using either a screwdriver or crowbar.

*When using solvents, use in a well ventilated area. Always pre-test solvent to ensure it is compatible with floor.