

Hinged Frame Panels

Parts List:



(2) Post (sold separately)



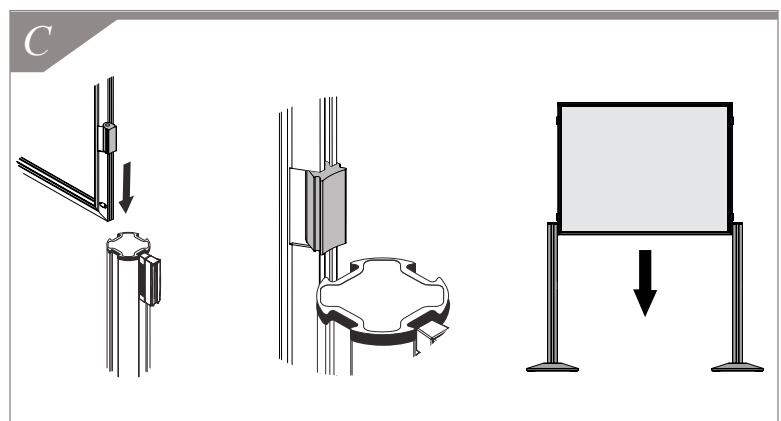
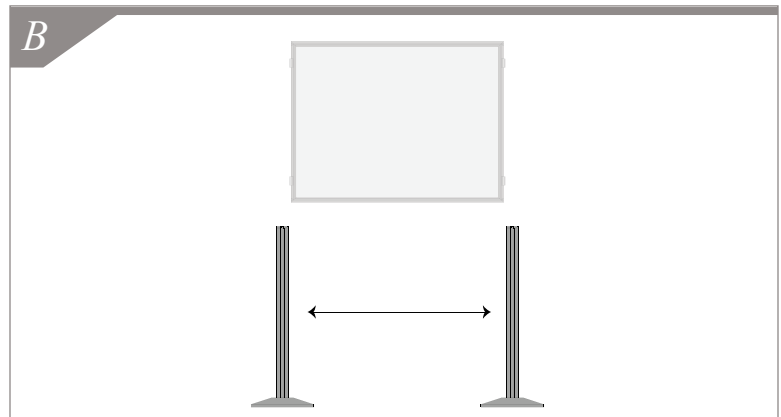
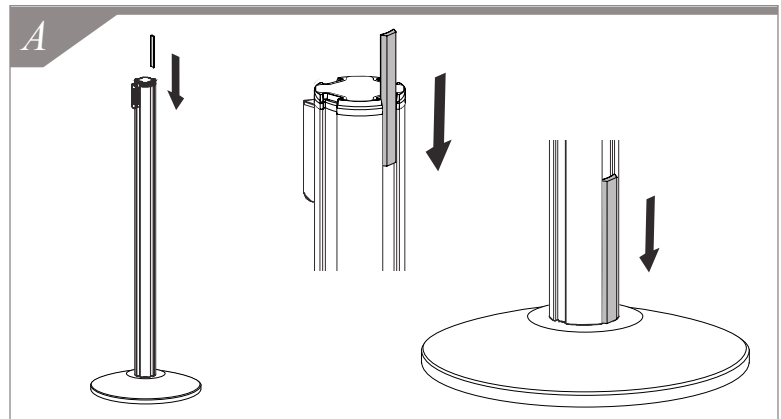
(1) Hinged Frame



(2) Dovetail Plastic Extrusion

Required Tools

1. Insert Dovetail Plastic Extrusion into the post's groove where you will be attaching the frame panel. Slide straight down the post's groove until it stops at the bottom of post. See Figure A.
2. Repeat step 1 for 2nd Post.
3. Arrange posts so they are spaced to accept the Hinged Frame Panel. See Figure B.
4. Insert Pivot Extrusion into each post's groove. Slide straight until the frame stops. See Figure C.



WARNING: Do not attempt to move Frame Panel while attached between posts. Injury could result!