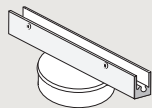


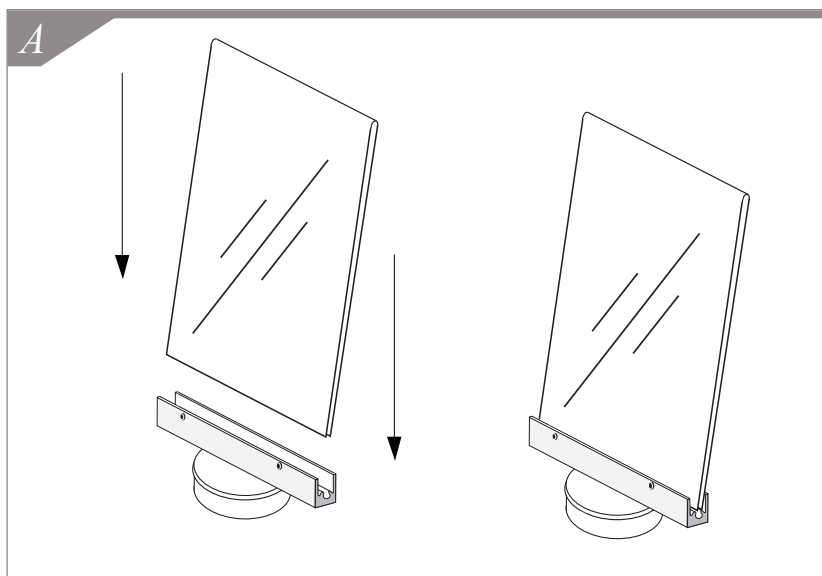
Frameless Sign Clip

Parts List:



Required Tools

1. Insert your signage into slot of sign clip.
See figure A.



2. Tighten screws with provided Allen wrench to secure the sign.
See figure B.

