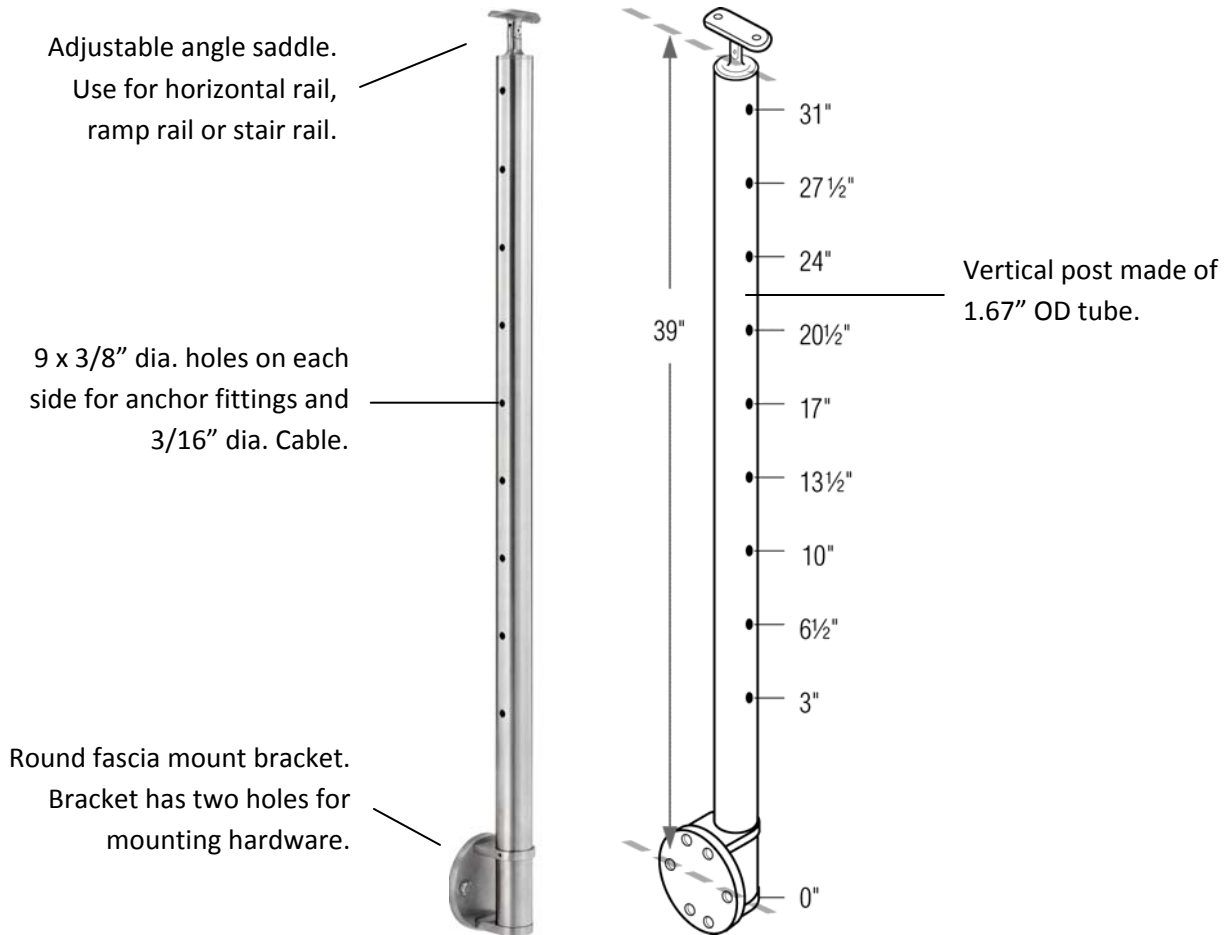


**PART#C424/36/W/MD/A/AS 3/16" Cable, 36H, Fascia, Anchor, Adj Saddle**

- Use as an end post or combine two posts at an angle to create a corner.



MATERIAL, FINISHES, USAGE		
	304 SST	316 SST
Polished		
Circular Satin		√
Clear Coat		
Indoor		√
Outdoor		√

MATERIAL CARE	
<b>Stainless Steel</b>	Use metal cleaner and apply with a damp, soft cloth.

<b>INSTALLATION</b>	Mount fascia bracket at correct location to ensure 34-38" handrail height from floor / stair. Use hardware appropriate for material on which bracket is being mounted. Place tube on fascia bracket and tighten set screw to tube.
<b>HARDWARE INCLUDED</b>	2 x 10-24 Philips Flat Head Machine Screw (316SST) to connect post to handrail tube.
<b>USE TOGETHER WITH</b>	1.67" OD tube for handrail (A114) and 3/16" cable rail assemblies.