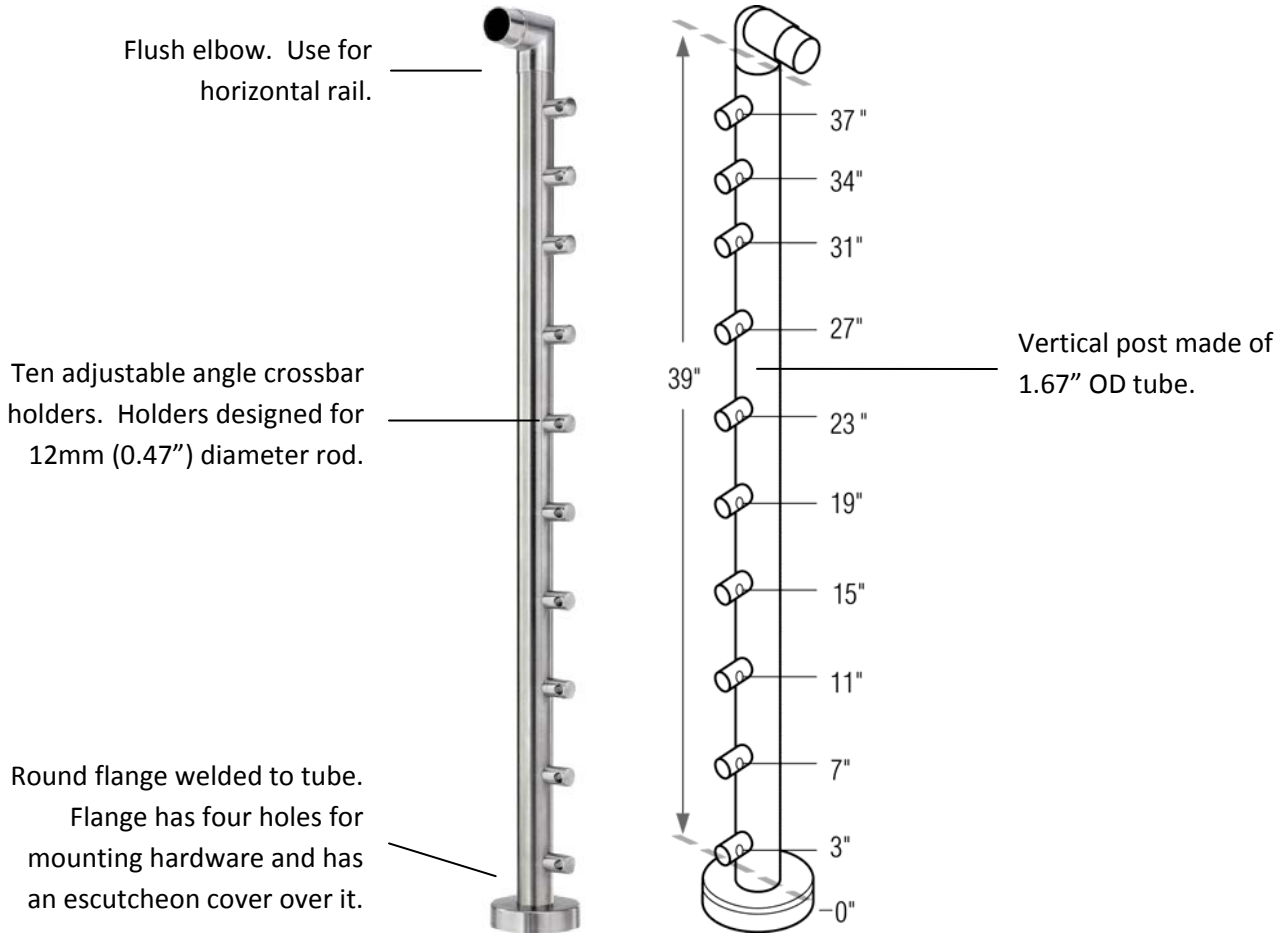


PART#B424/42/F/MD/FE Crossbar, 42H, Flange, End, Flush Fitting

- Use as an end post and together with center flush fitting posts.



MATERIAL, FINISHES, USAGE		
	304 SST	316 SST
Polished		
Circular Satin		✓
Clear Coat		
Indoor		✓
Outdoor		✓

MATERIAL CARE	
Stainless Steel	Use metal cleaner and apply with a damp, soft cloth.

INSTALLATION	Remove bottom crossbar holder and lift flange canopy. Bolt flange to the ground using hardware appropriate for the surface that it is being mounted on. Lower canopy and replace bottom crossbar holder. Measure horizontal distances between top fittings from one post to the other to ensure accurate cut length of horizontal tube.
HARDWARE INCLUDED	---
USE TOGETHER WITH	1.67" OD tube for handrail (A114), 0.47" OD solid rod (R038) as railing infill.