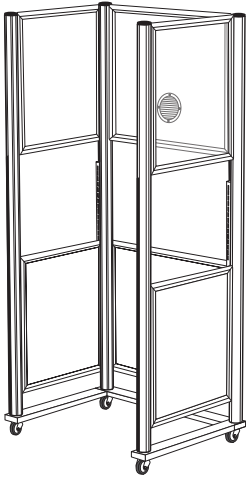


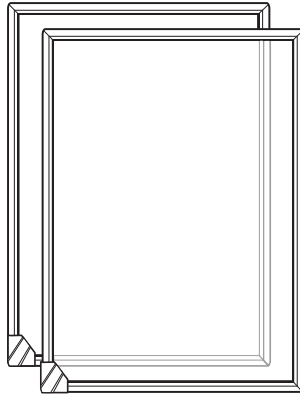
TSA – TDC

Protective Mobile Kiosk for TSA

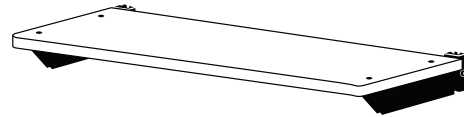
Parts List:



Main Mobile Kiosk



Protective Panel Extensions (2)



Adjustable Surface (1)

Attach Protective Panel Extensions

STEP

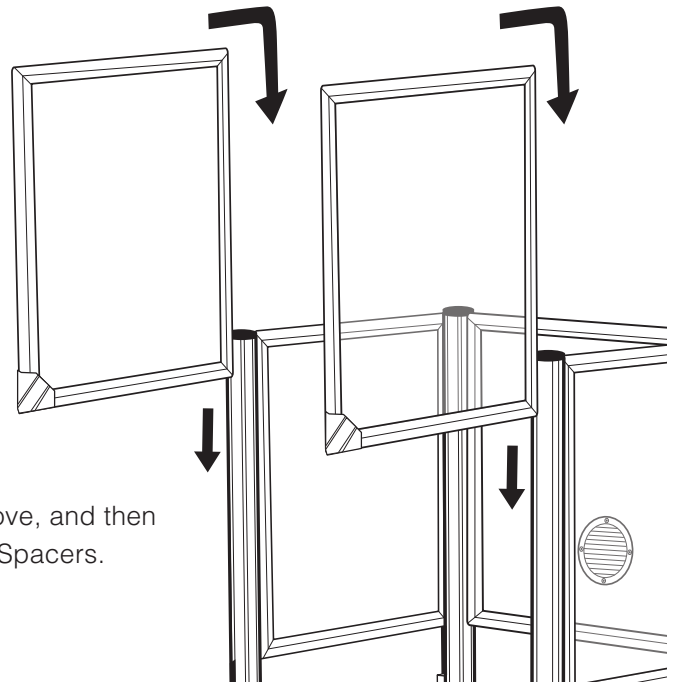
1

On the Main Structure, locate the two back posts. Both posts should have two pre-installed Panel Spacers; one permanent tall spacer, and then an additional 4-inch spacer that can be removed to lower the overall height of the Panel Extension.

Lift the first Protective Panel Extension, with the protective corner facing down and out as shown. Align the bottom corner of the panel with the dovetail groove at the top of the first back post.

Slide the Protective Panel Extension into the dovetail groove, and then carefully slide panel down post until it rests on the Panel Spacers.

Repeat for the second Protective Panel Extension.



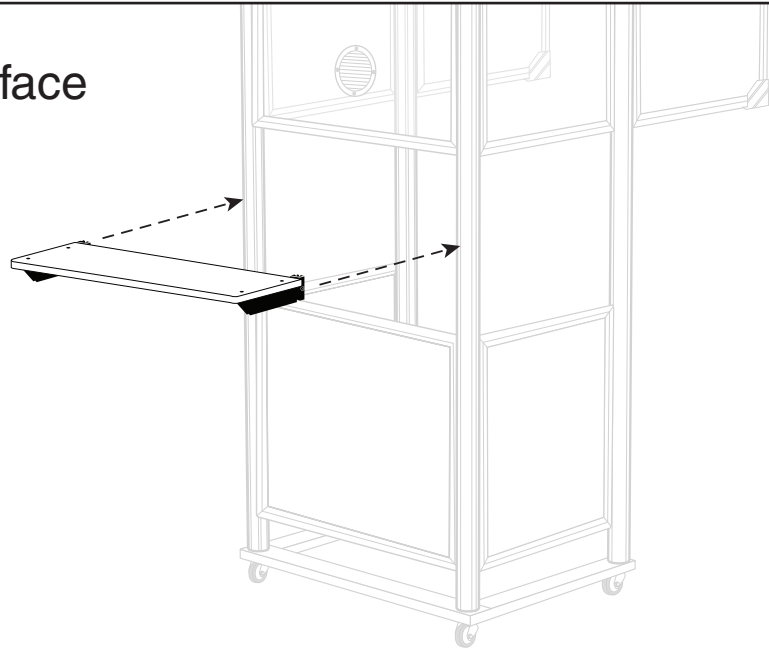
STEP

2

Align Adjustable Surface

The adjustable surface can be attached anywhere along the front of the podium using the grips on the back of the surface.

The grips are secured into the dovetail grooves of each front post.



STEP

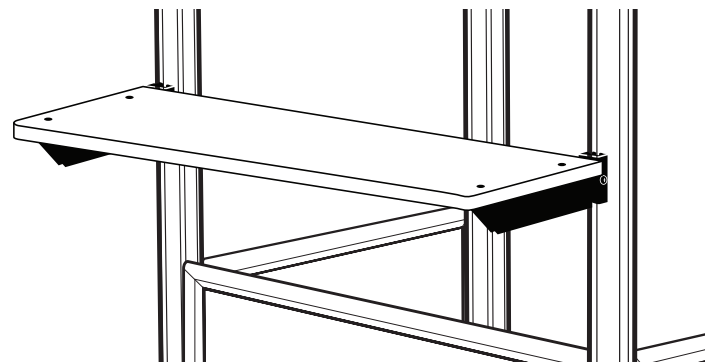
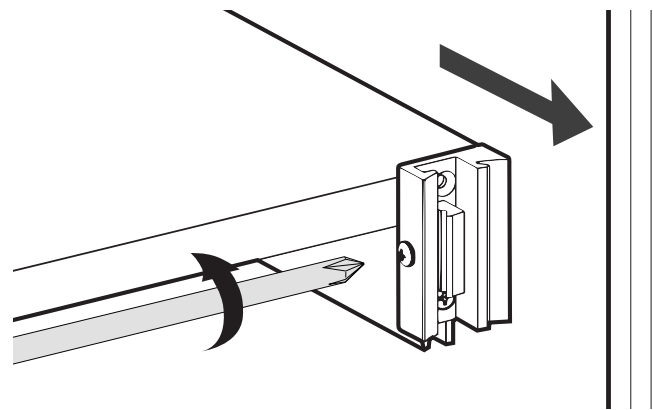
3

Attach Adjustable Surface

To begin, loosen the grips by turning the screws on the side of each grip with a screwdriver.

Then position the surface so that the grips are inserted into the dovetail grooves of each post at the desired height.

Tighten by turning the screws on the side of each grip to secure the surface into place.



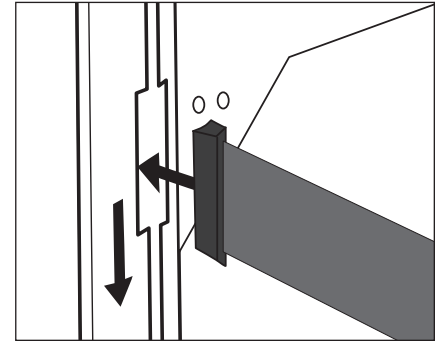
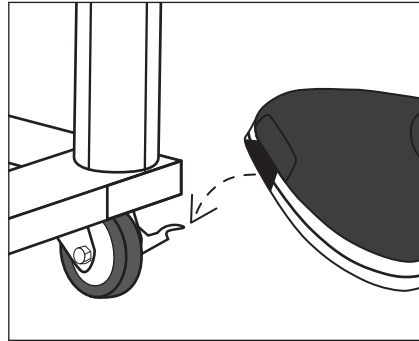
Position Structure

STEP 4

Roll the structure into place.

Locking rear wheels will secure the structure in place. To lock, use your foot to press down on the locking tab located on each wheel.

The two front posts have notches on the side to allow a retractable belt connection.

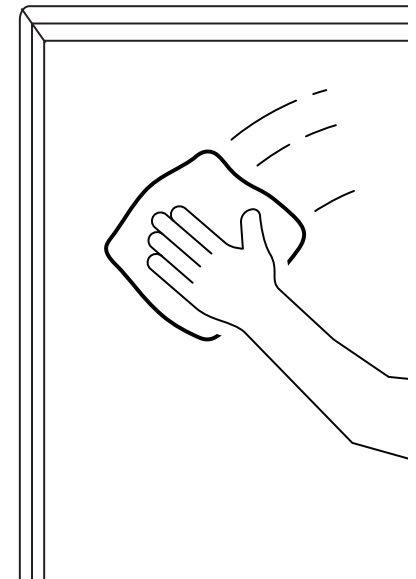


Care and Cleaning of Panels

Cleaning

Proper and regular cleaning of your Divesting panels will help extend their life and leave them with a lustrous shine that resists fogging, repels dust, and eliminates static.

- For cleaning clear acrylic, use only commercially available plastic cleaner.
- Avoid cleaning solutions containing ammonia or alcohol.
- Some cleaners will leave a silicon layer that protects the panels.
- Use a clean microfiber towel or a lint-free cloth to clean and polish the panels.



To remove scratches, haziness, and small abrasions use a commercially available plastic scratch remover solution. With repeated use, these solution will remove scratches and restore faded and discolored plastics.

Disinfecting

- Commercially available disinfectants should be used to sanitize the panels.
- Use only non-alcoholic disinfectants.