

Square Cable Railing

with Prefabricated 316 Stainless Steel Posts



Factory assembled posts simplify installation and eliminate welding.



Choice of Saddle

1.5" Prefabricated Posts
Complete, predrilled, choice of fixed or adjustable saddle, floor mount with canopy.



Cable Railing Infill
1/8" or 3/16" Cable Assembly in 5', 10' or 20' lengths.

TOP RAIL COMPONENTS



Tubing
Order 1.67" tubing in 20ft. lengths to create a top handrail.



End Caps
Three styles add a finishing touch to your handrail.



Wall Flange
Perfect for ending the handrail into a wall.

Tubing Connectors



Adjustable Flush Elbow
allows for unique angles.



Flush Elbow
connects tubing at a 90° angle and provides a clean look.



316 Stainless Steel Cable Railing

Prefabricated Square Posts








Project Checklist

1. Post Height:
 36" _____ (Requires 9 cables)
 42" _____ (Requires 11 cables)
2. How many posts are needed?*
- What positions?
 Ends _____
 Centers _____
 Stair Ends _____
 Stair Centers _____
4. Cable Length and Quantity?
 5-ft. _____
 10-ft. _____
 20-ft. _____
5. Length of top rail to determine how much tubing: _____
6. Select any additional fittings such as end caps, handrail connectors or wall flanges:

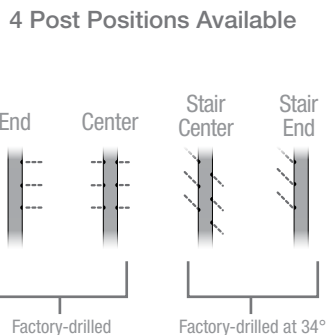
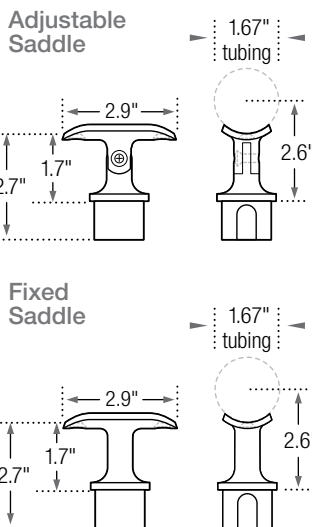
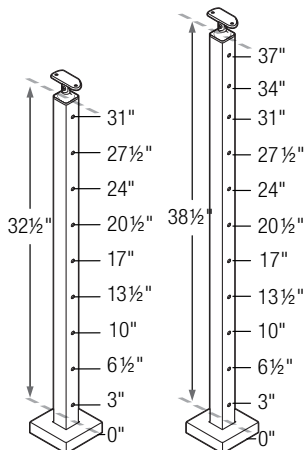
* It is recommended that posts be no more than 4 ft. apart.

Posts	Part Number	Height	Position	Mount	Saddle	OD	Cable Dia.	Quantity
	49-C161/36/F/E/SF	36"	End	Floor	Fixed	1.5"	1/8" or 3/16"	
	49-C161/36/F/C/SF	36"	Center	Floor	Fixed	1.5"	1/8" or 3/16"	
	49-C161/36/F/E/AS	36"	End	Floor	Adjustable	1.5"	1/8" or 3/16"	
	49-C161/36/F/C/AS	36"	Center	Floor	Adjustable	1.5"	1/8" or 3/16"	
	49-C161/36/F/ES/AS	36"	Stair End	Floor	Adjustable	1.5"	1/8" or 3/16"	
	49-C161/36/F/CS/AS	36"	Stair Center	Floor	Adjustable	1.5"	1/8" or 3/16"	
	49-C161/42/F/E/SF	42"	End	Floor	Fixed	1.5"	1/8" or 3/16"	
	49-C161/42/F/C/SF	42"	Center	Floor	Fixed	1.5"	1/8" or 3/16"	
	49-C161/42/F/E/AS	42"	End	Floor	Adjustable	1.5"	1/8" or 3/16"	
49-C161/42/F/C/AS	42"	Center	Floor	Adjustable	1.5"	1/8" or 3/16"		
Cable	Part Number	Description					Cable Dia.	Quantity
	49-CA125B/5	Cable Kit includes 5-ft. length of .125" Cable.					1/8"	
	49-CA125B/10	Cable Kit includes 10-ft. length of .125" Cable.					1/8"	
	49-CA125B/20	Cable Kit includes 20-ft. length of .125" Cable.					1/8"	
	49-CA187B/5	Cable Kit includes 5-ft. length of .375" Cable.					3/16"	
	49-CA187B/10	Cable Kit includes 10-ft. length of .375" Cable.					3/16"	
	49-CA187B/20	Cable Kit includes 20-ft. length of .375" Cable.					3/16"	

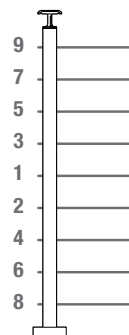
Top Rail Components

Components	Part Number	Description	Quantity
	49-602/424	Half Ball End Cap for 1.67"-diameter tubing.	
	49-600PF/424	Press fit End Cap for 1.67"-diameter tubing.	
	49-608/424	Wall Return for 1.67"-diameter tubing ends top rail toward wall.	
	49-732/424	Flush Elbow, 1.67" x 0.08" connects tubing at a 90° angle.	
	49-732A/424	Adjustable Flush Elbow, 1.67" x .08" connects tubing at any angle.	
	49-510/424	End handrail tubing at a wall with a Wall Flange.	
	49-A114/20	1.67"-diameter tubing in satin 316 stainless steel, in 20-ft. length.	

36" Standard 42" Guardrail



Tensioning Sequence



Lavi Industries

800.624.6225

www.railings.lavi.com