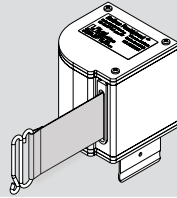


# RackMount®

## Parts List:



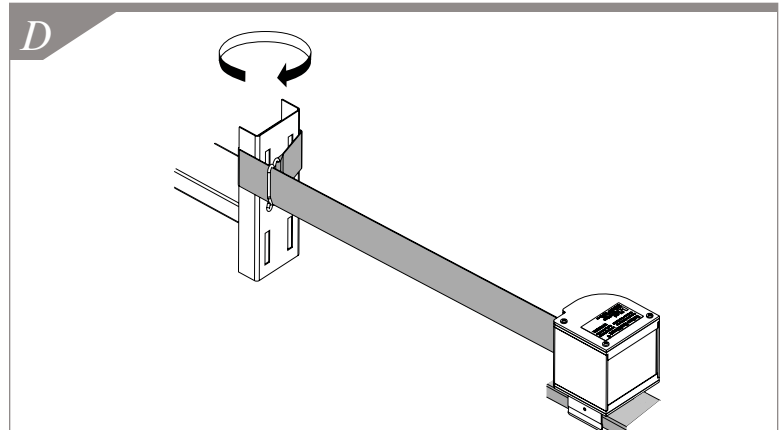
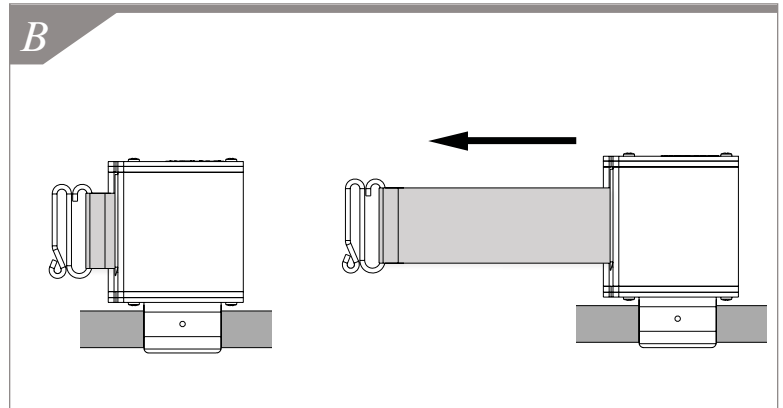
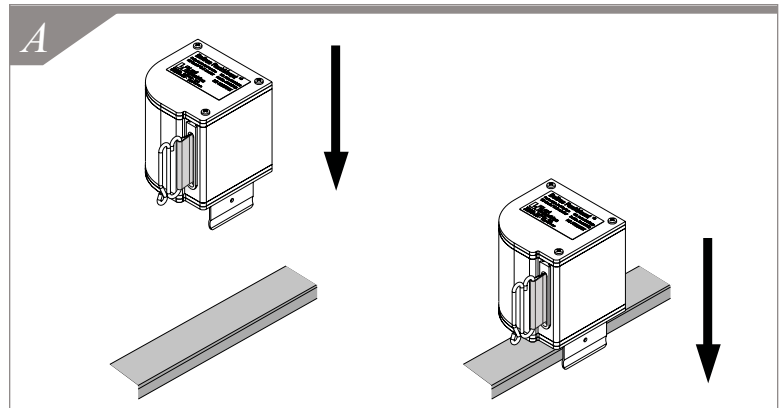
RackMount



Goggles

## Required Tools

1. Determine desired location for RackMount.
2. Install RackMount by pushing down on unit until it snaps onto rail. *See Figure A.*
3. Pull belt by holding belt end and pull across aisle to opposite rack. *See Figure B.*
4. Wrap belt around upright then slide belt end onto belt while making sure belt is tight and secure. *See Figure C.*



# Beltrac® Retractable Safety Barriers

*Industrial-grade temporary barricades*



50-3015

18ft or 24ft

## Permanent Wall Mount

Our Standard Wall Mount is ideal for blocking off wide corridors and for temporarily securing lanes. Easily attaches to a wall using 4 screws. Includes wall receptacle. Choose 18ft. or 24ft.



50-3016M

18ft

## Warehouse Standard QuickMount®

Temporarily attach our Quick Mount Safety Barrier to your warehouse upright by simply clicking into place. For use with uprights with holes measuring 1.5 inches apart.



50-3016U

18ft

## Warehouse Adjustable QuickMount®

The Adjustable Quick Mount Safety Barrier temporarily attaches to your warehouse upright by simply clicking into place. Back clips adjust to fit uprights with holes measuring between 1 inch to 3.5 inches apart.



50-3017

18ft

## Warehouse Upright FixedMount®

Create a more permanent safety barrier location within your warehouse using our Fixed Mount Safety Barrier. Securely mounts to warehouse uprights with a quick tightening of the back bolt.



50-3017RM

18ft

## Warehouse RackMount®

The Rack Mount Safety Barrier instantly snaps into place on a beam, short wall, or rack wall, providing a temporary safety barrier where you need it. Fits onto a 2.75" wide beam or wall.



50-5550

65ft

## JetTrac™ 65-foot Barrier

Create a convenient, always available barrier over an extended area with our swiveling wall-mount. Extends up to 65 feet!



Products for People and the Places They Go®