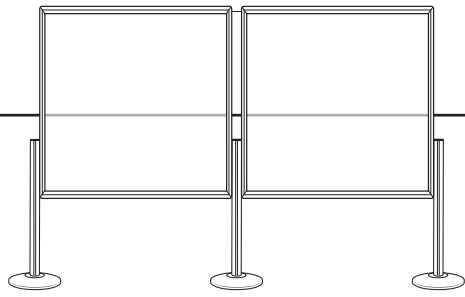


*Installation Instructions:  
For Standard Height Beltrac® Stanchions*



**Queue Guard™**  
*Protective Shield for Queuing System*

**Parts List:**

- A. Beltrac 3000 Standard Post**
- B. Beltrac 3000 Heavy Base Post\***
- C. Queue Guard™ Protective Panel**
- D. Gap Guard Acrylic Insert**
- E. Panel Spacers**

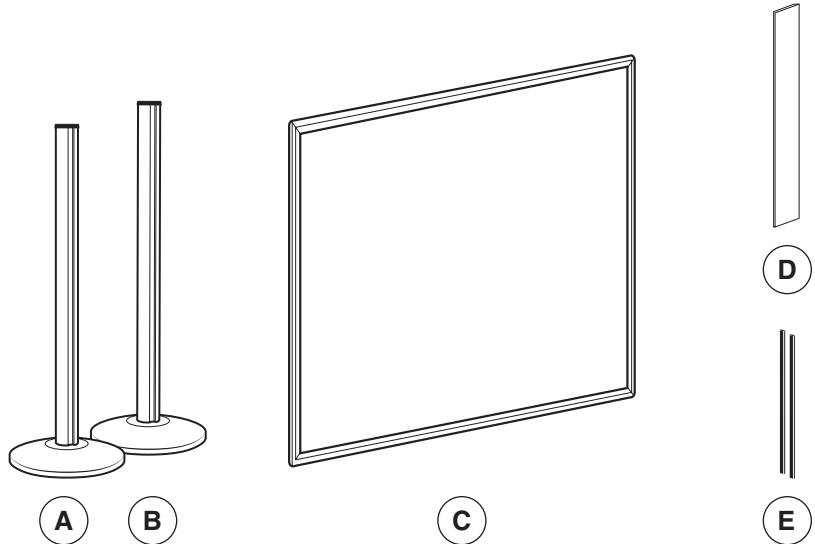
\* Recommended for all start/end posts, and every 4th post.

**Tools Required:**

- F. Allen Wrench†**



† To attach post base when shipped knockdown. Included with all knockdown posts.



\*Posts sold separately.

**STEP**

**1**

**Read First: Safety Recommendations**

To ensure the public's safety, please follow the best practices outlined below when configuring the layout of a Queue Guard™ barrier system.

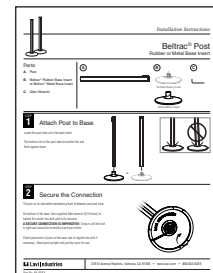
- Use Beltrac 3000 Heavy Base Posts for every start and end post
- Use Beltrac 3000 Heavy Base Posts for every 4th post
- Incorporating 90-degree turns will increase the stability of the system
- Do not remove the "Do Not Lean" safety labels affixed to each panel

**STEP**

**2**

**Attach Post Bases**

If you received posts that were shipped knockdown, attach each base to a post. Please refer to Assembly Instructions shipped with each post. If you received pre-assembled posts or are using existing stanchions, please skip to Step 3.

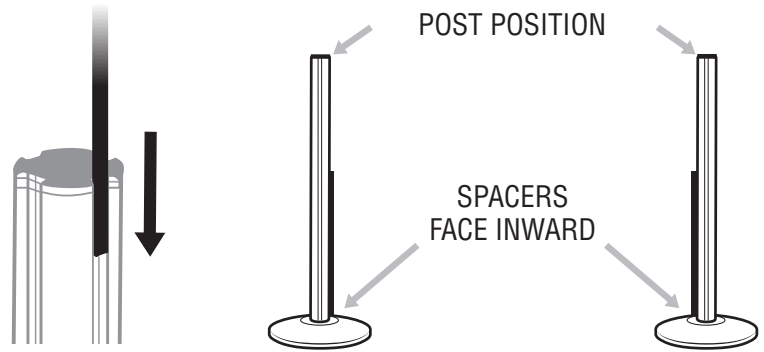


STEP

3

## Insert Panel Spacers

Slide *Panel Spacers* into the grooves of posts where *Queue Guard Panels* will be installed. Spacers are placed into opposing post grooves to control the height of the panels.



STEP

4

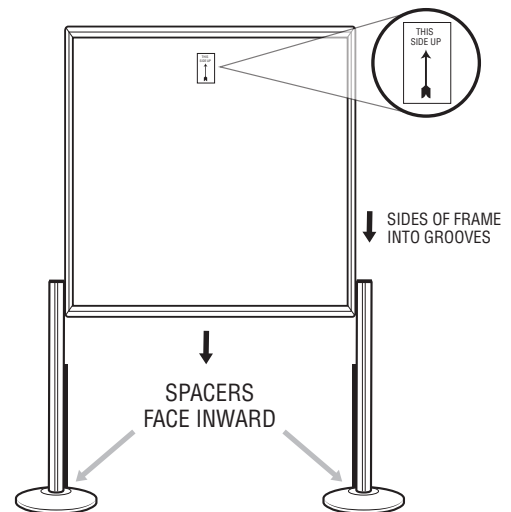
## Install Queue Guard™ Panels

For safety, please use 2 people for this step.

Confirm panel is right side up by verifying “Arrow Label” position on panel (remove label after installation).

Lift *Queue Guard Panel* and align dovetail edges with grooves of 2 opposing *Partition Posts*. Carefully slide panel down post until it rests on the *Panel Spacers*.

TIP: Slide both sides of panel down in tandem, keeping the panel parallel to floor. This will allow panel to slide more smoothly.

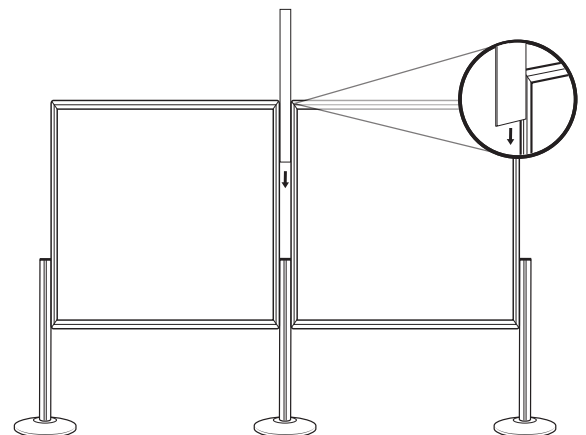


STEP

5

## Install Gap Guard Acrylic Insert

Align the *Gap Guard Acrylic* to the slots in the sides of opposing *Queue Guard Panels*. Slide the acrylic down between panels until it rests on the top of the *Partition Post*.



**Watch the  
installation video**

## Queue Guard Care and Cleaning

### Cleaning

Proper and regular cleaning of your Queue Guard panels will help extend their life and leave them with a lustrous shine that resists fogging, repels dust, and eliminates static.

- For cleaning clear acrylic, use only commercially available plastic cleaner.
- Avoid cleaning solutions containing ammonia or alcohol.
- Some cleaners will leave a silicon layer that protects the panels.
- Use a clean microfiber towel or a lint-free cloth to clean and polish the panels.

To remove scratches, haziness, and small abrasions use a commercially available plastic scratch remover solution. With repeated use, these solution will remove scratches and restore faded and discolored plastics.

### Disinfecting

- Commercially available disinfectants should be used to sanitize the panels.
- Use only non-alcoholic disinfectants.

