

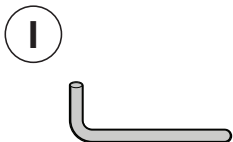
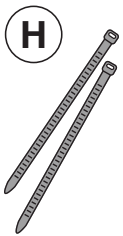
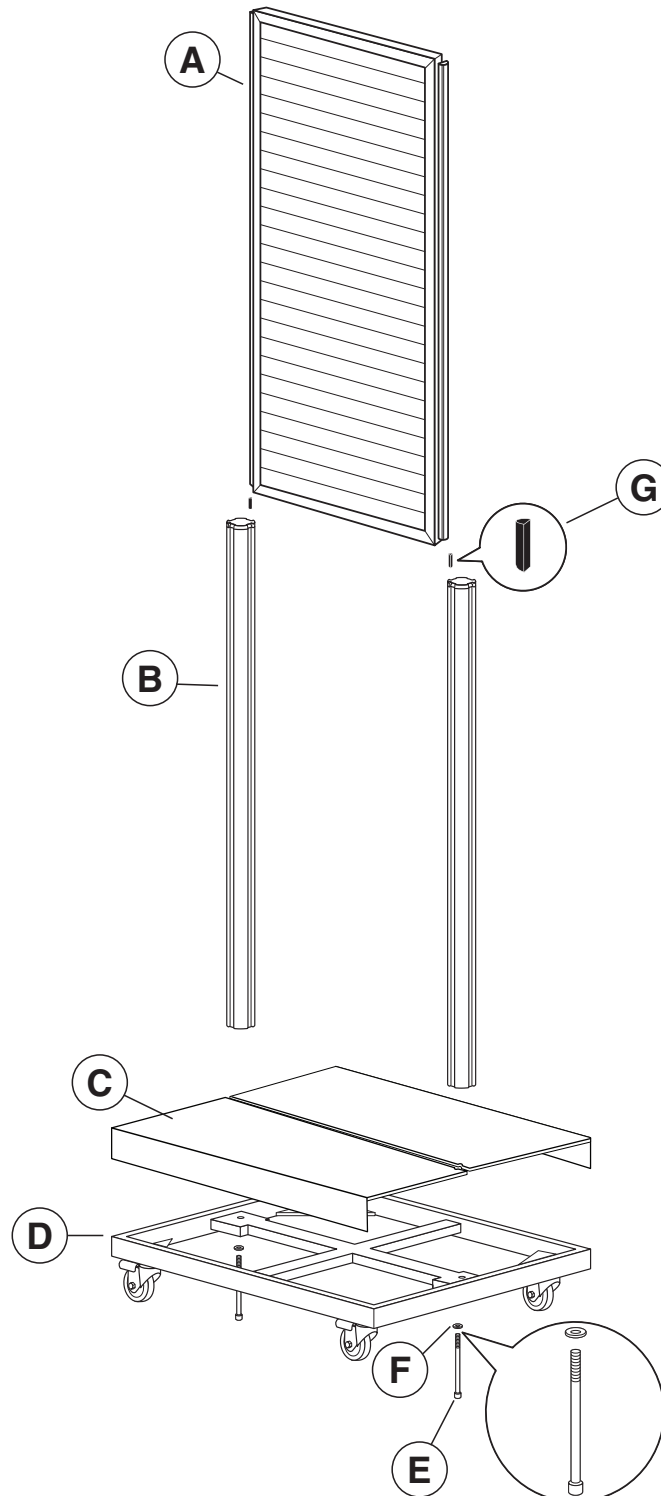
Portable Gondola With Skirt

Parts:

- A. Slatwall (1)
- B. Posts (2)
- C. Skirt (2)
- D. Frame (1)
- E. Bolts (2)
- F. Lock Washers (2)
- G. Spacers (2)
- H. Zip Ties (2)

Tools:

- I. 5/16" Allen Wrench



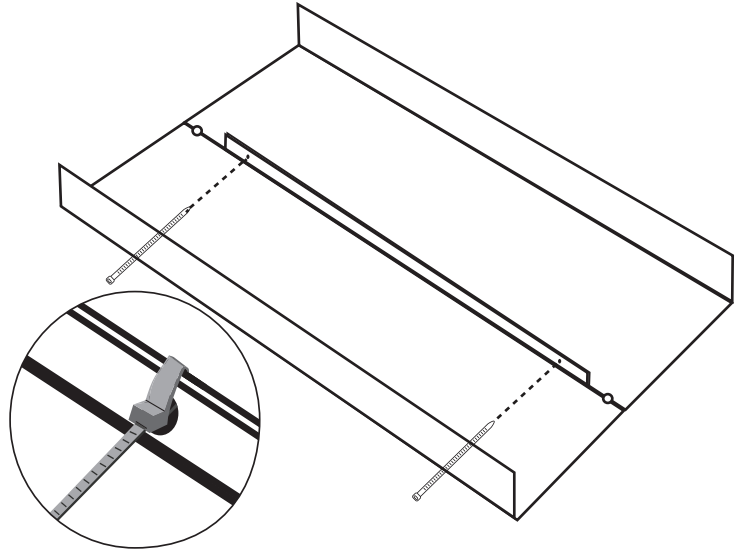
STEP

1

Insert Zip Ties to Skirts

Position skirts upside down and push together with no gap in between.

Make sure holes in center edge align with one another. Insert one zip tie in each hole and tighten so that the two skirts are pressed together.



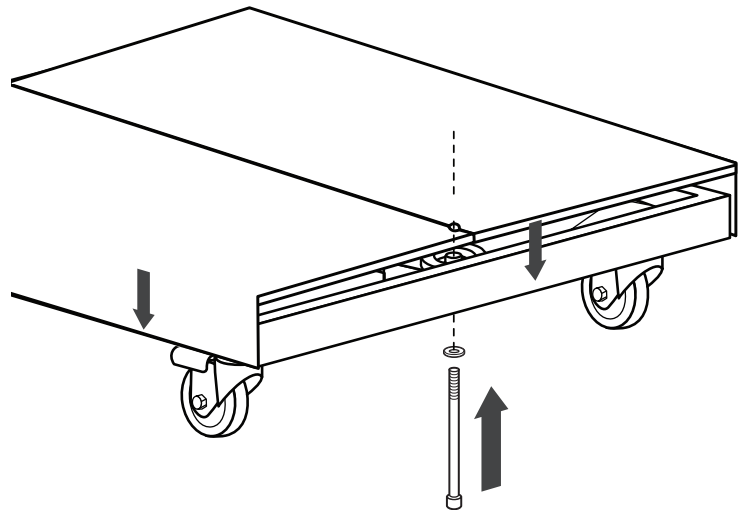
STEP

2

Place Inlay on Frame

Position Frame with Casters down to floor.

Place assembled Skirt onto Frame and line up washer holes with Frame washer hole. Slide Bolt with Washer through Frame and Skirts.



STEP

3

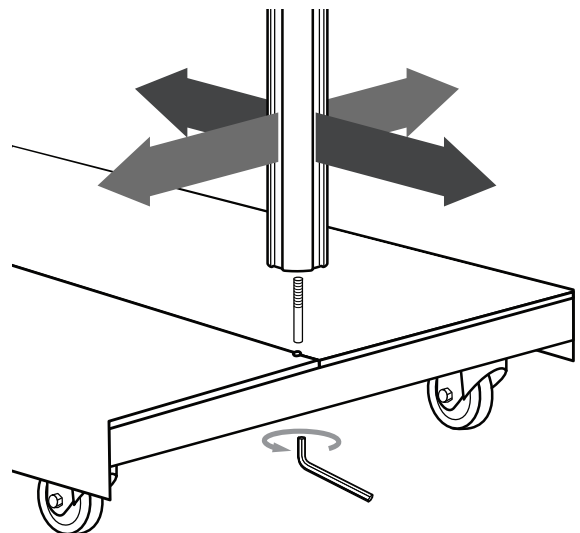
Secure Posts to Frame

Thread Bolt into Post, using 5/16" Allen Wrench, ensuring post grooves align square to assembly.

Do not tighten bolts completely. Leaving bolts slightly loose will help with installing Slatwall Panel in step 4.

Hint: Post grooves align to sides of frame.

Repeat this step for other Post.

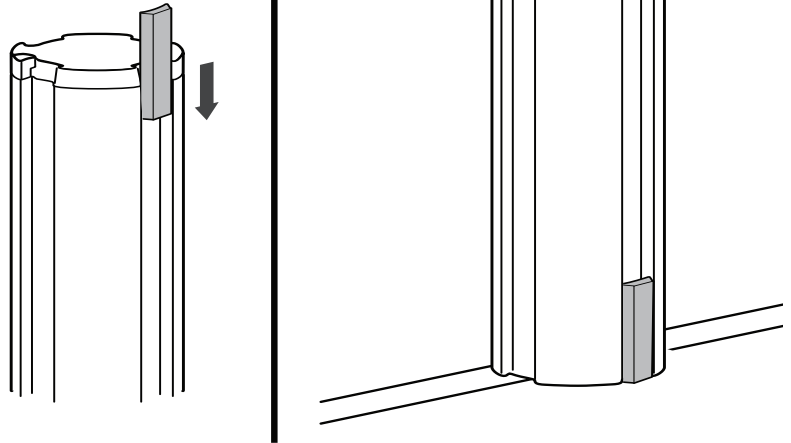


STEP

4

Place Spacers in Posts

Insert Spacers into the inside groove of post where you will be attaching the Slatwall Panel. Slide straight down the post's groove until it meets the base of the Post.



STEP

5

Install Slatwall

For safety, two people should perform the following step. Insert the Slatwall's dovetail edges into each post's groove. Slide straight down until the Slatwall Panel meets the Plastic Spacers.

Hint: Ensure the Lavi Industries logo is located at the bottom of the Slatwall Panel. This ensures that the panel is right-side up.

Finally, tighten the bolts on the Posts completely to secure the Slatwall in place.

