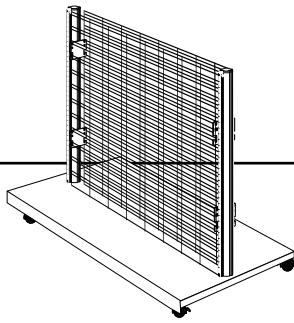


# Universal Gondola

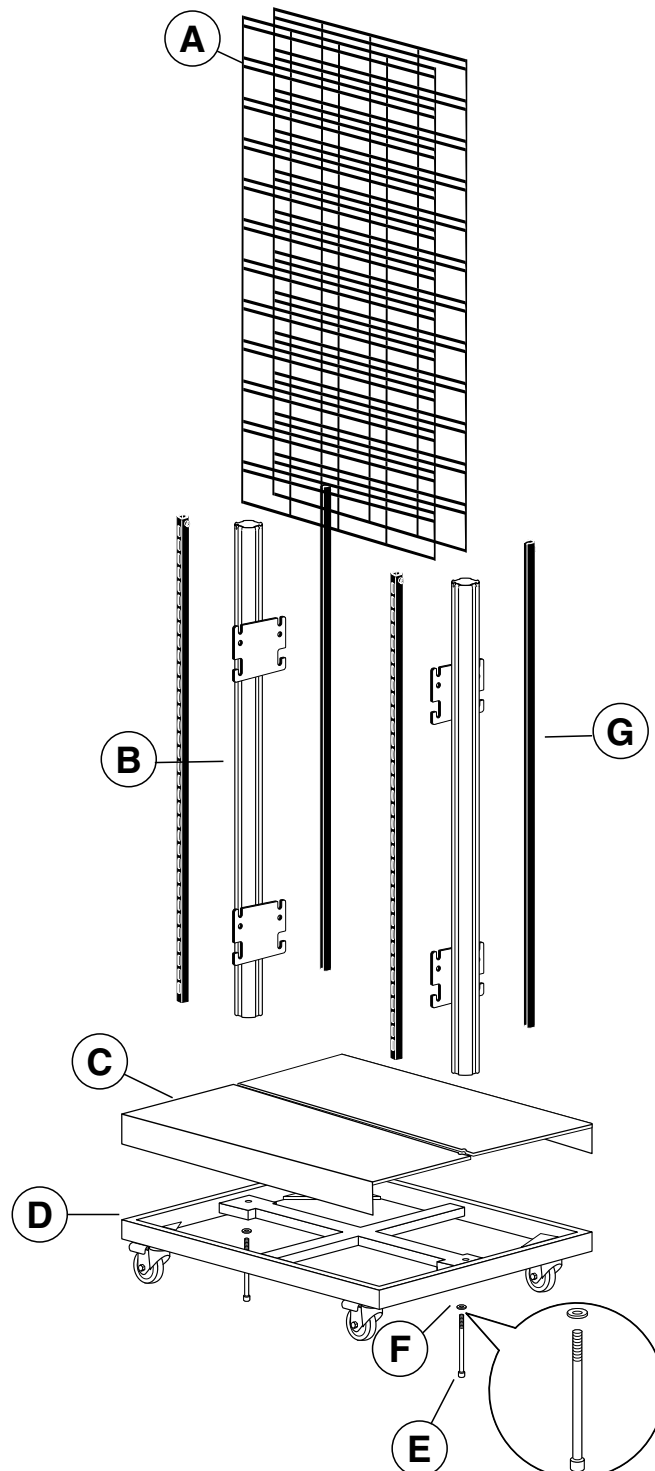
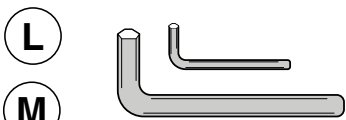
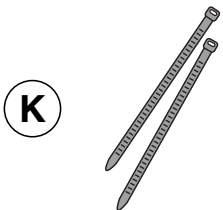
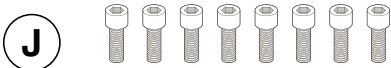
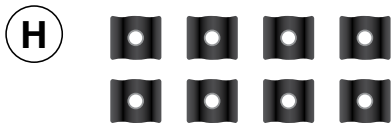


## Parts:

- A. Slat Grid (2)
- B. Posts (2) with Brackets (4)
- C. Skirt (2 halves)
- D. Frame (1)
- E. Post Bolts (2)
- F. Lock Washers for Post Bolts (2)
- G. Standard Slot Rails (4)
- H. Slat Grid Wing Washers (8)
- J. Slat Grid Hex Bolts (8)
- K. Zip Ties (2)

## Tools:

- L. 5/16" Hex Key for Posts
- M. 1/8" Hex Key for Brackets



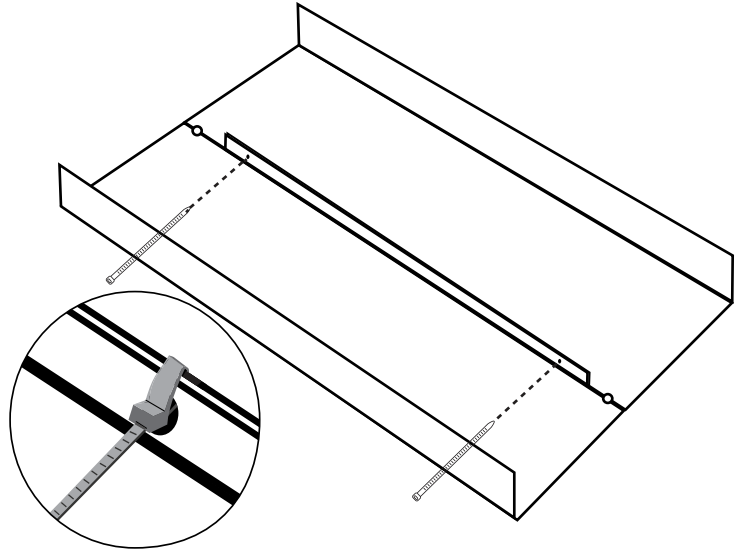
STEP

1

## Insert Zip Ties to Skirts

Position skirts upside down and push together with no gap in between.

Make sure holes in center edge align with one another. Insert one zip tie in each hole and tighten so that the two skirts are pressed together.



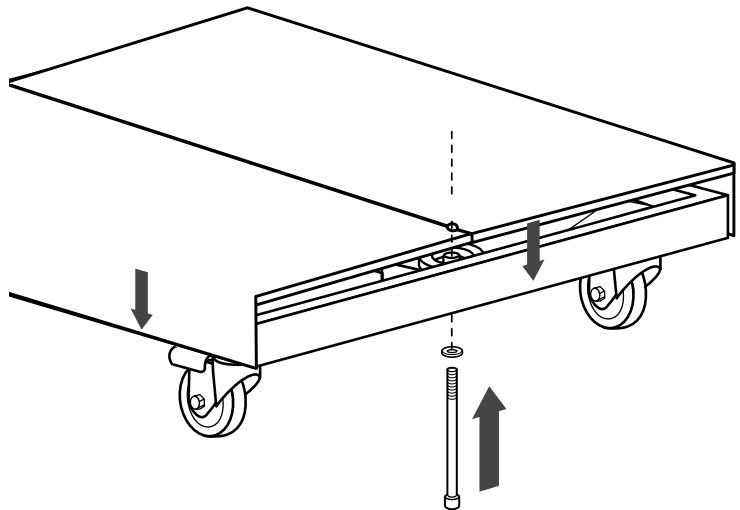
STEP

2

## Place Skirt on Frame

Position Frame with Casters down to floor.

Place assembled Skirt onto Frame and line up washer holes with Frame washer hole. Slide Bolt with Washer through Frame and Skirts.



STEP

3

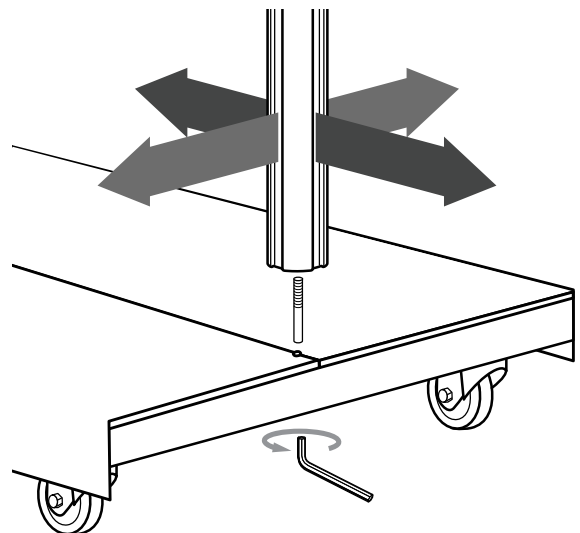
## Secure Posts to Frame

Thread Bolt into Post, using 5/16" Allen Wrench, ensuring post grooves align square to assembly.

**Do not tighten bolts completely. Leaving bolts slightly loose will help with installing Slat Grid Panel in step 4.**

Hint: Post grooves align to sides of frame. Brackets face inward.

**Repeat step 3 for second Post.**

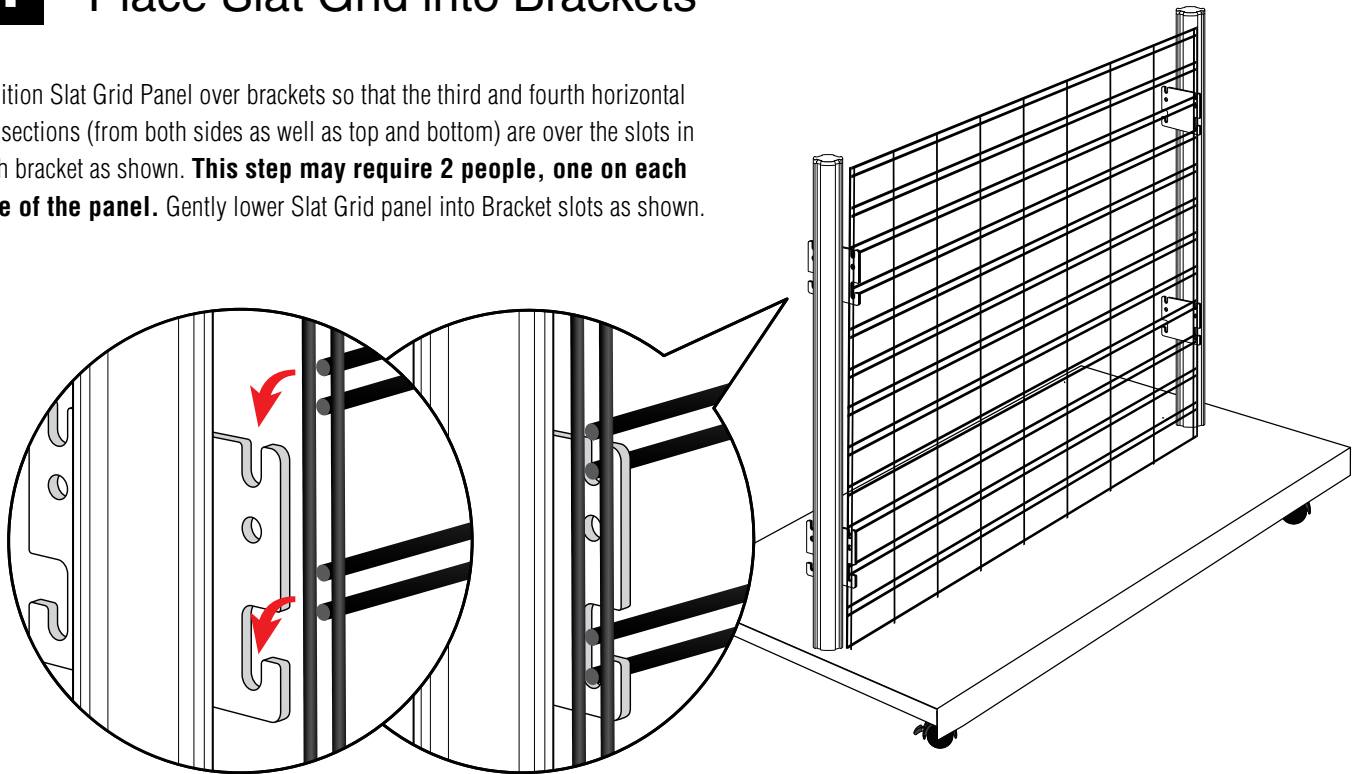


STEP

**4**

## Place Slat Grid into Brackets

Position Slat Grid Panel over brackets so that the third and fourth horizontal bar sections (from both sides as well as top and bottom) are over the slots in each bracket as shown. **This step may require 2 people, one on each side of the panel.** Gently lower Slat Grid panel into Bracket slots as shown.



STEP

**5**

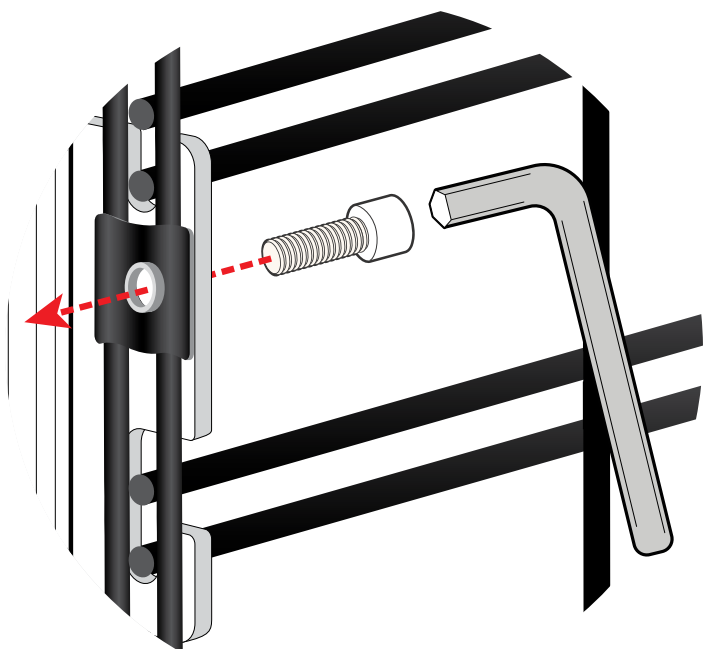
## Secure Slat Grid Panels

Place Slat Grid Wing Washers over Slat Grid End Bars so that the hole in the washer aligns with the hole in the Bracket.

Secure Wing Washer using a Slat Grid Hex Bolt and the supplied Hex Key.

Repeat Step 5 for remaining bracket locations to secure Slat Grid Panel.

**Repeat Steps 4 and 5 for remaining panel on other side.**

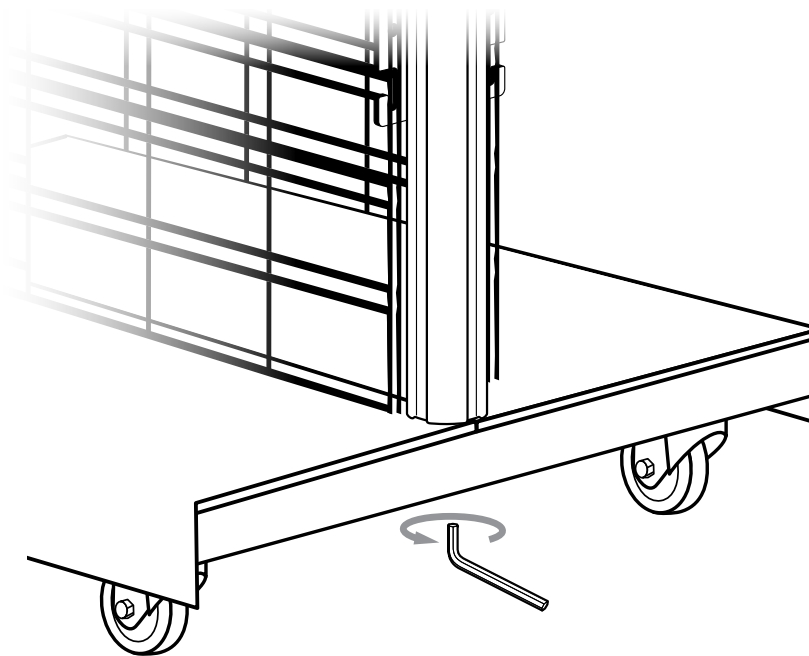


STEP

**6**

## Secure Posts

Finally, using the 5/16" Allen Key, finish tightening the bottom bolts that secure the two posts.



STEP

**7**

## Add Standard Slot Rails

Loosen set screw on Standard Slot Rails.

Slide the Standard Slot Rail into a dovetail groove of the Post so that it faces the same direction as the Slat Grid. Push the rail all the way down.

Tighten the set screw on the Standard Slot Rail to secure. Repeat for other three Standard Slot Rails.

