



Mobile Merchandiser

Sleek • Portable • Versatile

Modular, flexible design puts impulse merchandise wherever your customers are.

- Flexible design: Use with our slatwall, slat grid, or standard slot rail.
- Slim, double-sided design maximizes sales per square foot.
- Quickly connect multiple units together to form long-runs.
- Locking wheels keeps merchandise in place.



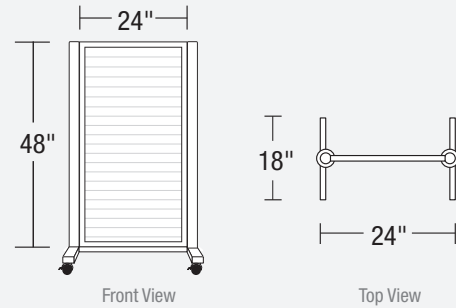
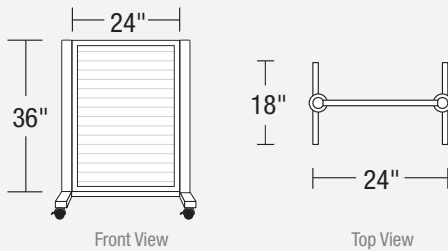
Mobile Merchandiser Specifications

Simply slide the NeXtrac Gondola Link into the dovetail extrusions on adjacent units to connect mobile units.



GONDOLA LINK

Part Number	Description
80-PGL36	Links two units

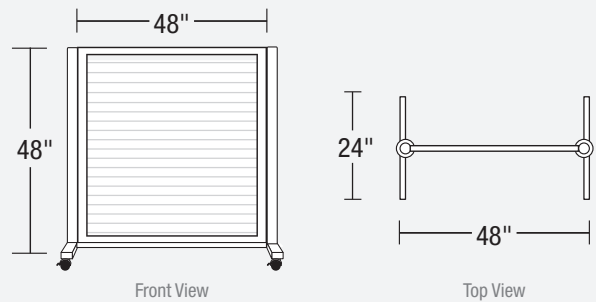
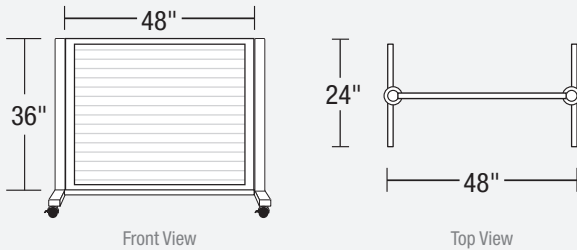


MOBILE MERCHANDISER, 24L x 36H x 18W

Part Number	Base color	Post/Frame Color	Panel Color	Wt. [in lbs.]
50-PGH2436/MB/MB/MB	Black	Black	Black	36 lb
50-PGH2436/MB/SA	Black	Satin	Satin	36 lb

MOBILE MERCHANDISER, 24L x 48H x 18W

Part Number	Base color	Post/Frame Color	Panel Color	Wt. [in lbs.]
50-PGH2448/MB/MB/MB	Black	Black	Black	44 lb
50-PGH2448/MB/SA	Black	Satin	Satin	44 lb



MOBILE MERCHANDISER, 48L x 36H x 24W

Part Number	Base color	Post/Frame Color	Panel Color	Wt. [in lbs.]
50-PGH4836/MB/MB/MB	Black	Black	Black	55 lb
50-PGH4836/MB/SA	Black	Satin	Satin	55 lb

MOBILE MERCHANDISER, 48L x 48H x 24W

Part Number	Base color	Post/Frame Color	Panel Color	Wt. [in lbs.]
50-PGH4848/MB/MB/MB	Black	Black	Black	66 lb
50-PGH4848/MB/SA	Black	Satin	Satin	66 lb