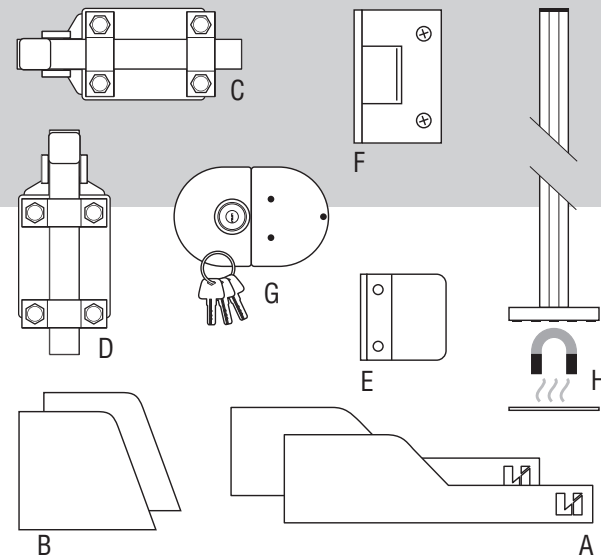


ACCESSORIES

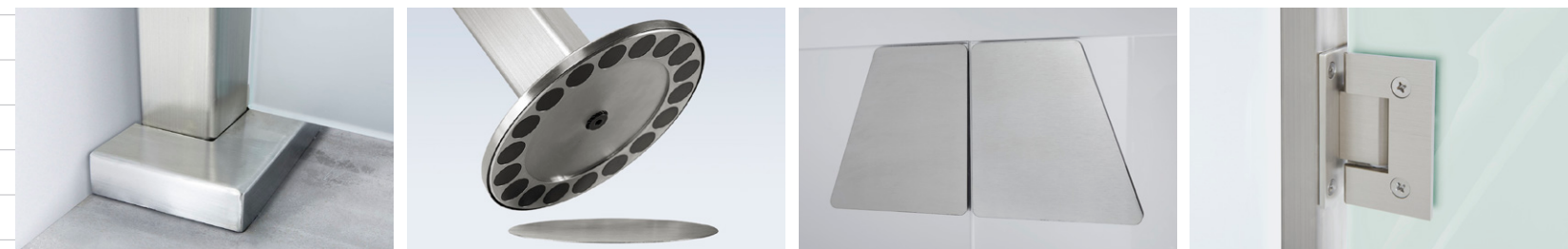
Customize your project with modular accessories for a finishing touch.

PART NO.	REFERENCE	DESCRIPTION 1	DESCRIPTION 2
44-KP01/PR	A	Set of Kick Plates	Set of 2, Installed
44-PP01/PR	B	Set of Push Plates	Set of 2, Installed
44-SL02/SET	C	Latch Assembly	Horizontal Latch
44-SL01/SET	D	Latch Assembly	Vertical Latch
49-860S/F	E	Glass Grip	Sold Individually
44-PH01	F	Hinge	Sold Individually
44-GL01	G	Key Lock Gate Latch	Sold Individually
44-570CMG/AB	H	Magnetic Base and Receiver Kit	Sold Individually



316-GRADE STAINLESS STEEL

Modular Curtain Walls and Gates



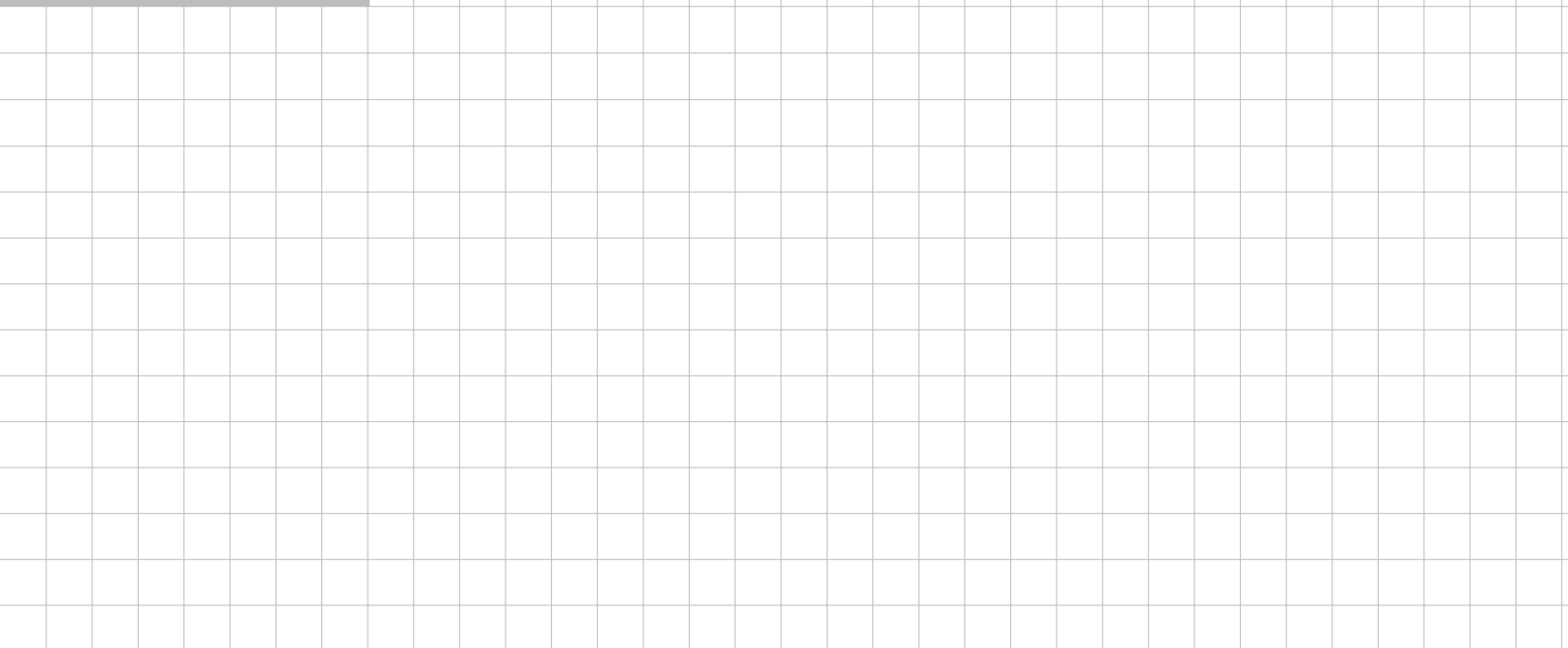
Cut Flanges permit mounting next to walls.

Magnetic Base option for quick installation.

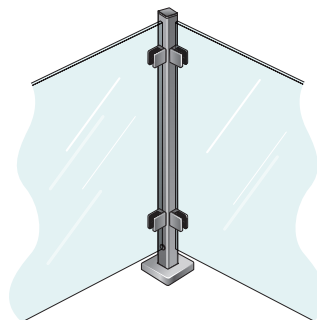
Push Plates and Kick Plates protect gates.

Hinged Grips create access gates.

PROJECT LAYOUT



PROJECT CHECKLIST



1. Post Height

42" _____
48" _____
72" _____

2. How many posts are needed? What positions?

Ends _____
Centers _____
Corners _____
Receivers _____

3. Floor Mount Type?

Bolted _____
Cut Flange _____
Magnetic _____

4. How Many Panels?

What size? What material?

Glass _____ Plexi _____

5. How many Gates?

What size? What material?

Glass _____ Plexi _____

6. Additional Accessories

Kick Plates _____

Push Plates _____

Latch (horizontal) _____

Latch (vertical) _____

Latch (key-lock) _____

Hinge _____

Magnetic Base Assembly _____

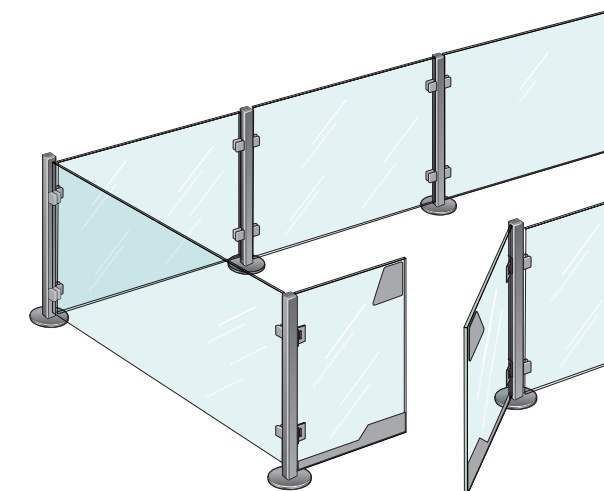
www.railings.lavi.com

800.624.6225

© Lavi Industries All Rights Reserved. Patent-Pending.

Semi-structural architectural partitions with access control

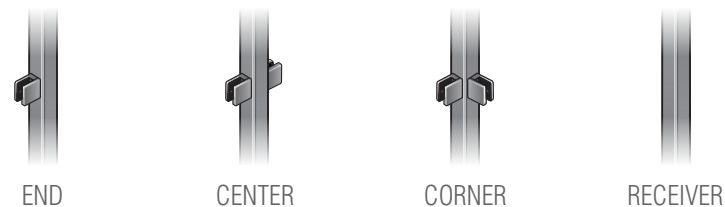
- Permanent or removable installation
- Magnetic-base option makes installation quick and easy — No floor drilling required
- Locking gates provide secure access control
- Modular system includes 3 standard heights — 42", 48", and 72" — to fit almost any space or need
- Corrosion-resistant 316-grade stainless steel makes an architectural statement both indoors and out



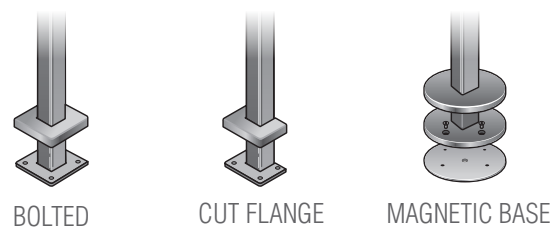
POSTS

Available in 3 standard heights to create walls, partitions, or aisles. Magnetic base option provides non-invasive installation with the ability to easily remove posts.

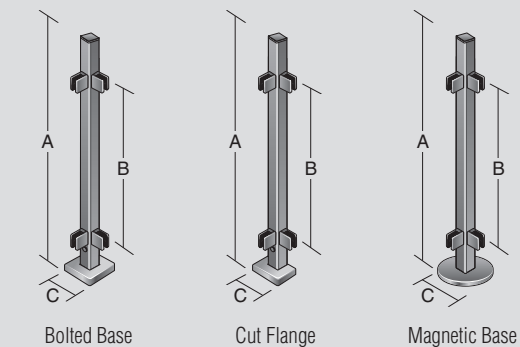
POST OPTIONS:



MOUNTING OPTIONS:

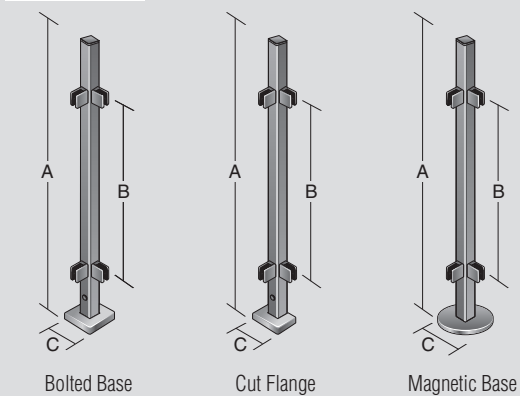


42-Inch Post

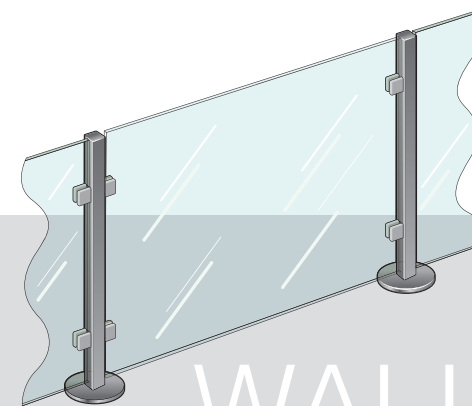
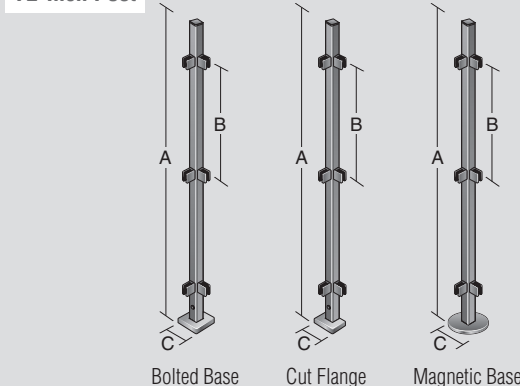


PART NO.	HEIGHT	POSITION	MOUNTING	DIM A	DIM B	DIM C
49-170/42/F/E	42"	END	BOLTED	42"	23.27"	5.13"
49-170/42/CF/E		END	CUT FLANGE	42"	23.27"	3.57" x 5.13"
49-170/42/M/E		END	MAGNETIC	42"	23.27"	7.67"
49-170/42/F/C		CENTER	BOLTED	42"	23.27"	5.13"
49-170/42/CF/C		CENTER	CUT FLANGE	42"	23.27"	3.57" x 5.13"
49-170/42/M/C		CENTER	MAGNETIC	42"	23.27"	7.67"
49-170/42/F/L		CORNER	BOLTED	42"	23.27"	5.13"
49-170/42/CF/L		CORNER	CUT FLANGE	42"	23.27"	3.57" x 5.13"
49-170/42/M/L		CORNER	MAGNETIC	42"	23.27"	7.67"
49-170/42/F/R		RECEIVER	BOLTED	42"	23.27"	5.13"
49-170/42/CF/R		RECEIVER	CUT FLANGE	42"	23.27"	3.57" x 5.13"
49-170/42/M/R		RECEIVER	MAGNETIC	42"	23.27"	7.67"
49-170/48 /F/E	48"	END	BOLTED	48"	29.27"	5.13"
49-170/48/CF/E		END	CUT FLANGE	48"	29.27"	3.57" x 5.13"
49-170/48/M/E		END	MAGNETIC	48"	29.27"	7.67"
49-170/48/F/C		CENTER	BOLTED	48"	29.27"	5.13"
49-170/48/CF/C		CENTER	CUT FLANGE	48"	29.27"	3.57" x 5.13"
49-170/48/M/C		CENTER	MAGNETIC	48"	29.27"	7.67"
49-170/48/F/L		CORNER	BOLTED	48"	29.27"	5.13"
49-170/48/CF/L		CORNER	CUT FLANGE	48"	29.27"	3.57" x 5.13"
49-170/48/M/L		CORNER	MAGNETIC	48"	29.27"	7.67"
49-170/48/F/R		RECEIVER	BOLTED	48"	29.27"	5.13"
49-170/48/CF/R		RECEIVER	CUT FLANGE	48"	29.27"	3.57" x 5.13"
49-170/48/M/R		RECEIVER	MAGNETIC	48"	29.27"	7.67"
49-170/72/F/E	72"	END	BOLTED	72"	26.91"	5.13"
49-170/72/CF/E		END	CUT FLANGE	72"	26.91"	3.57" x 5.13"
49-170/72/F/C		CENTER	BOLTED	72"	26.91"	5.13"
49-170/72/CF/C		CENTER	CUT FLANGE	72"	26.91"	3.57" x 5.13"
49-170/72/F/L		CORNER	BOLTED	72"	26.91"	5.13"
49-170/72/CF/L		CORNER	CUT FLANGE	72"	26.91"	3.57" x 5.13"
49-170/72/F/R		RECEIVER	BOLTED	72"	26.91"	5.13"
49-170/72/CF/R		RECEIVER	CUT FLANGE	72"	26.91"	3.57" x 5.13"

48-Inch Post

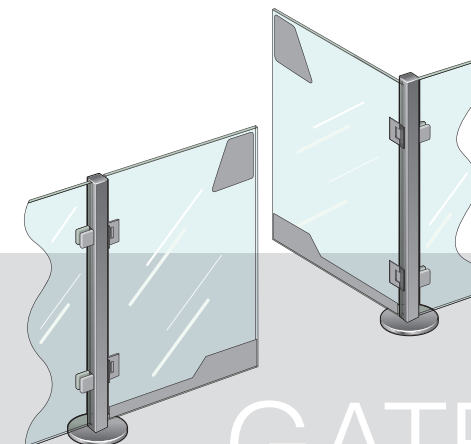


72-Inch Post



WALLS

The clean, sleek lines of glass or plexi provide an architectural statement. Available with clear 3/8" tempered glass, or clear or frosted 1/2" plexiglass.



GATES

Matching gates provide secure access control both in and out of the area. Available with kick plates, push plates, and locking latches. See back for accessories.

PART NO.	MATERIAL	THICKNESS	TRANSPARENCY	PANEL SIZE
70-4842/3	Tempered Glass	3/8"	Clear	48"x42"
70-4848/3				48"x48"
70-4872/3				48"x72"
70-6042/3				60"x42"
70-6048/3				60"x48"
80-A4842/4				Plexiglass
80-A4848/4	48"x48"			
80-A4872/4	48"x72"			
80-A6042/4	60"x42"			
80-A6048/4	60"x48"			
80-A6072/4	60"x72"			
84-A4842/4	Plexiglass	1/2"	Frosted on One Side	48"x42"
84-A4848/4				48"x48"
84-A4872/4				48"x72"
84-A6042/4				60"x42"
84-A6048/4				60"x48"
84-A6072/4				60"x72"
86-A4842/4	Plexiglass	1/2"	Frosted on Both Sides	48"x42"
86-A4848/4				48"x48"
86-A4872/4				48"x72"
86-A6042/4				60"x42"
86-A6048/4				60"x48"
86-A6072/4				60"x72"

Wall Panels in Tempered Glass come pre-drilled.

PART NO.	MATERIAL	THICKNESS	TRANSPARENCY	PANEL SIZE
70-2442/3GATE	Tempered Glass	3/8"	Clear	24"x42"
70-2448/3GATE				24"x48"
70-3242/3GATE				32"x42"
70-3248/3GATE				32"x48"
70-3272/3GATE				32"x72"
70-4042/3GATE				40"x42"
70-4048/3GATE	40"x48"			
70-4072/3GATE	40"x72"			
80-A2442/4GATE	Plexiglass	1/2"	Clear	24"x42"
80-A2448/4GATE				24"x48"
80-A3242/4GATE				32"x42"
80-A3248/4GATE				32"x48"
80-A3272/4GATE				32"x72"
80-A4042/4GATE				40"x42"
80-A4048/4GATE	40"x48"			
80-A4072/4GATE	40"x72"			
84-A2442/4GATE	Plexiglass	1/2"	Frosted on One Side	24"x42"
84-A2448/4GATE				24"x48"
84-A3242/4GATE				32"x42"
84-A3248/4GATE				32"x48"
84-A3272/4GATE				32"x72"
84-A4042/4GATE				40"x42"
84-A4048/4GATE	40"x48"			
84-A4072/4GATE	40"x72"			
86-A2442/4GATE	Plexiglass	1/2"	Frosted on Both Sides	24"x42"
86-A2448/4GATE				24"x48"
86-A3242/4GATE				32"x42"
86-A3248/4GATE				32"x48"
86-A3272/4GATE				32"x72"
86-A4042/4GATE				40"x42"
86-A4048/4GATE	40"x48"			
86-A4072/4GATE	40"x72"			

Please specify left or right gate at time of ordering. Purchase of Gate includes Hinges.