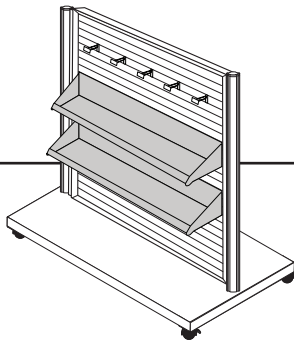


Portable Gondola



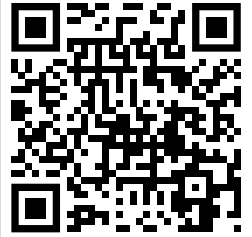
Parts:

- A. Slatwall (1)
- B. Posts (2)
- C. Inlay (1)
- D. Frame (1)
- E. Bolts (2)
- F. Lock Washers (2)
- G. Spacers (2)
- H. Shelf (4)
- I. Label Hooks (24)

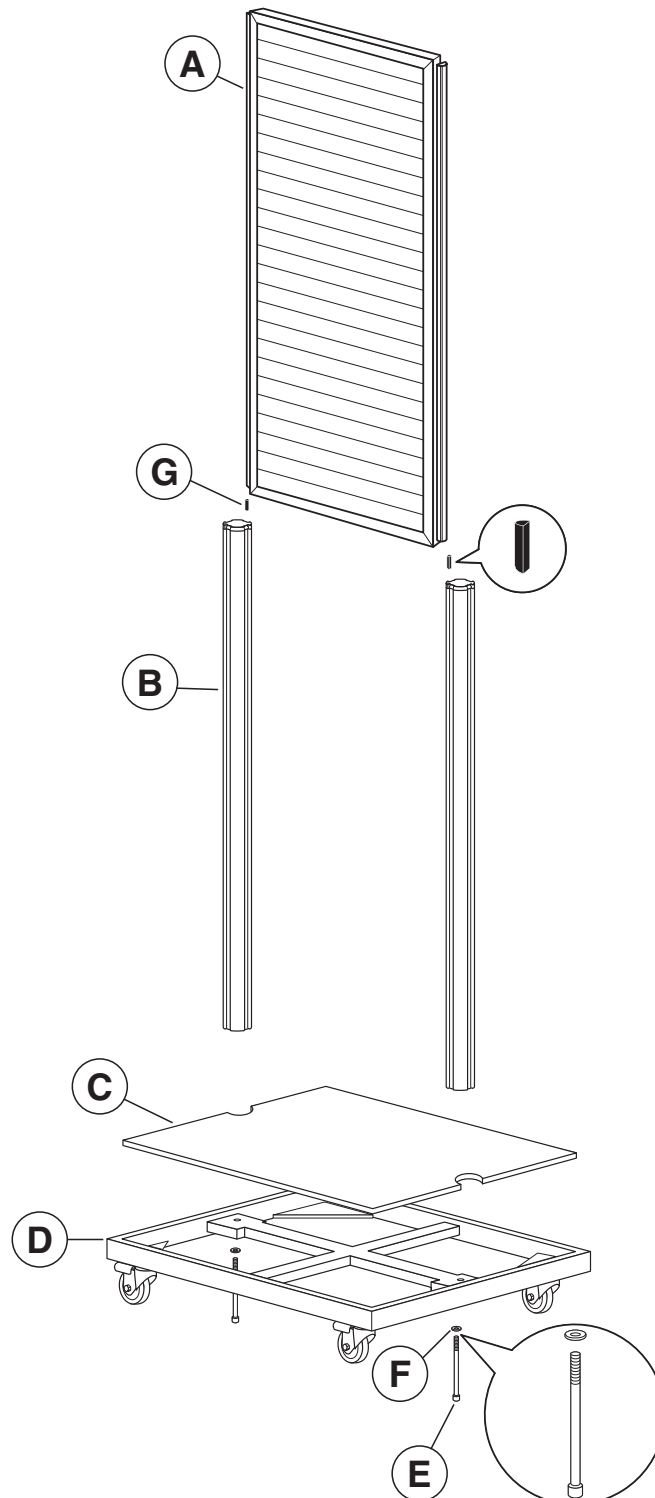
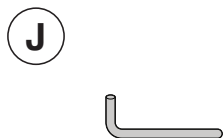
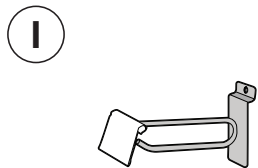
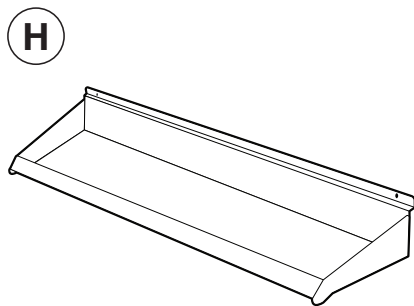
Tools:

- J. 5/16" Allen Wrench

WATCH THE VIDEO INSTRUCTIONS



SCAN ME

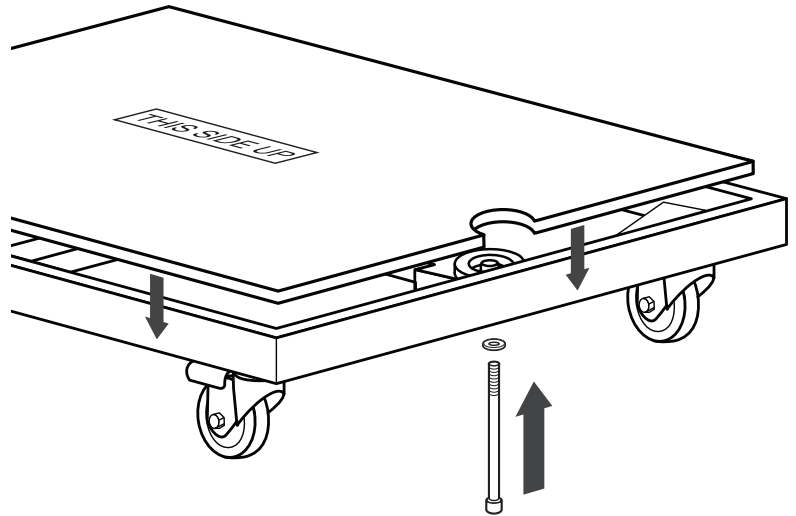


STEP

1

Place Inlay on Frame

Position Frame with Casters down to floor. Place Inlay into Frame and be sure the sticker with "this side up" faces upward. Remove the sticker after assembly. Slide Bolt with Washer through Frame and Inlay.



STEP

2

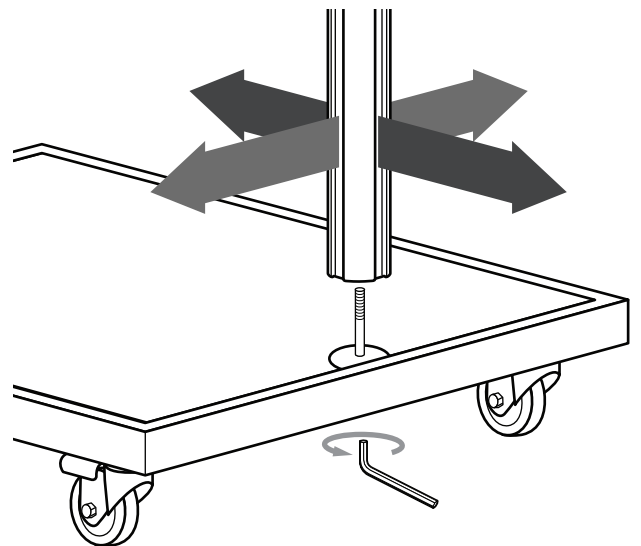
Secure Posts to Frame

Thread Bolt into Post, using 5/16" Allen Wrench, ensuring post grooves align square to assembly.

Do not tighten bolts completely. Leaving bolts slightly loose will help with installing Slatwall Panel in step 4.

Hint: Post grooves align to sides of frame.

Repeat steps 1–2 for second Post.

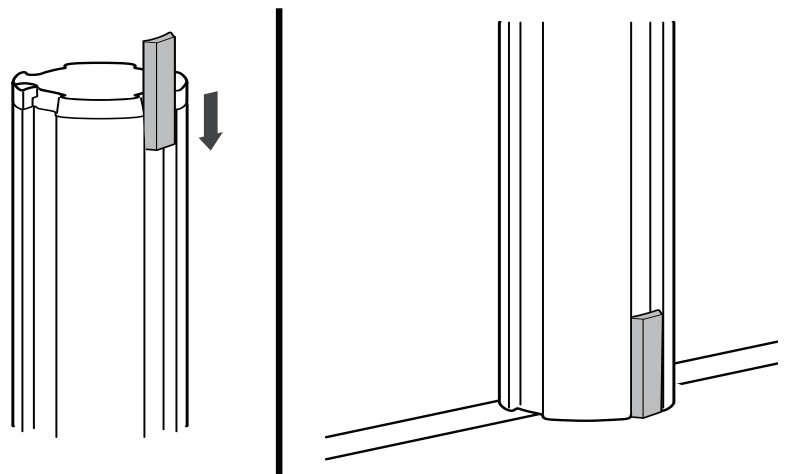


STEP

3

Place Spacers in Posts

Insert Spacers into the inside groove of post where you will be attaching the Slatwall Panel. Slide straight down the post's groove until it meets the base of the Post.

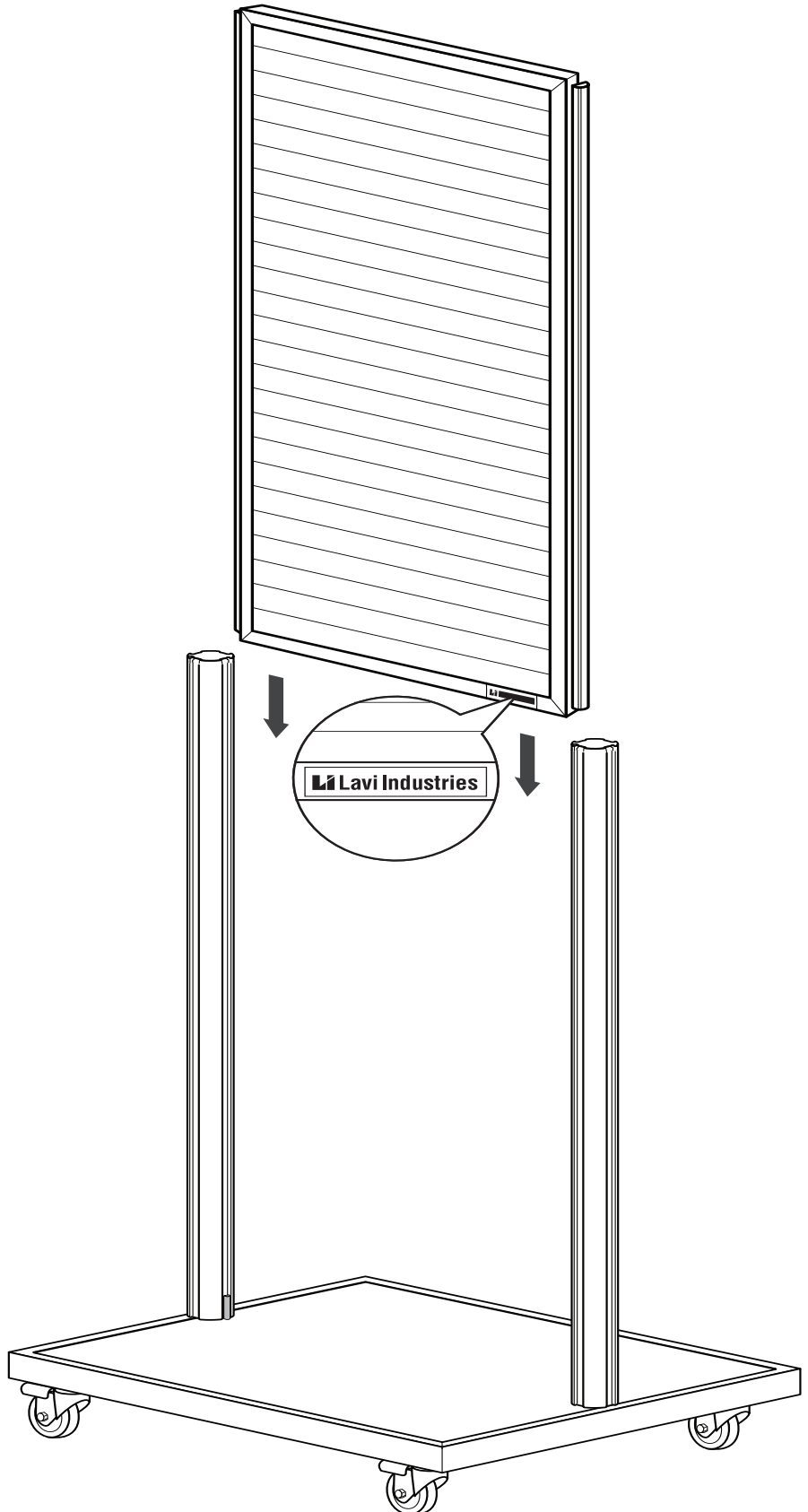


STEP
4 Install Slatwall

For safety, two people should perform the following step. Insert the Slatwall's dovetail edges into each post's groove. Slide straight down until the Slatwall Panel meets the Plastic Spacers.

Hint: Ensure the Lavi Industries logo is located at the bottom of the Slatwall Panel. This ensures that the panel is right-side up.

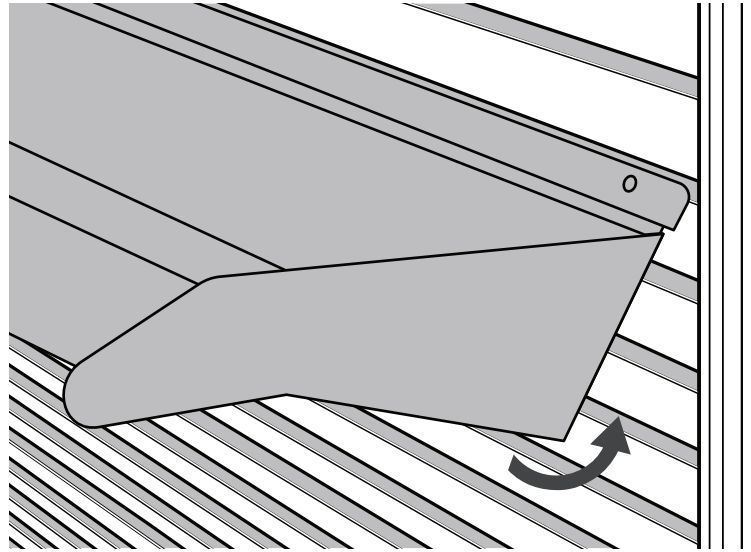
Finally, tighten the bolts on the Posts completely to secure the Slatwall in place.



STEP
5

Attach Slatwall Shelves

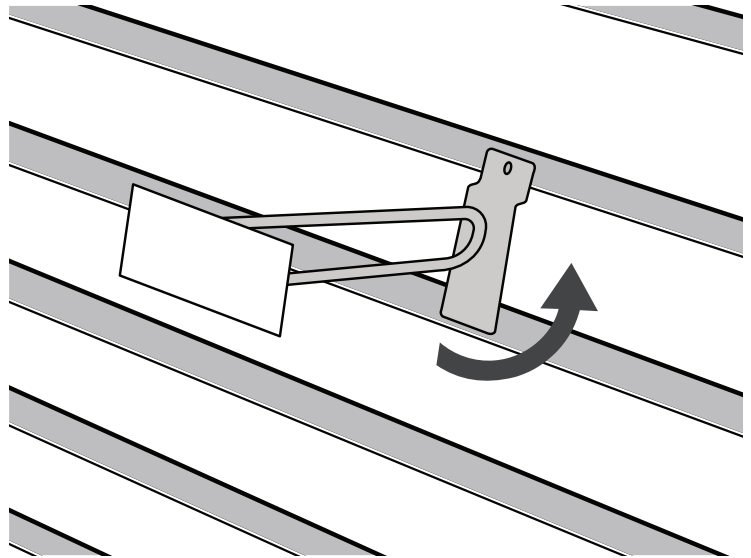
Insert back lip of shelf into Slatwall groove at a 45 degree angle. Slowly bring shelf down until it feels secure.



STEP
6

Attach Hooks

Hold hook at a 45-degree angle and insert back lip into the groove on the Slatwall. Bring hook down until secure. Repeat step until desired number of hooks are placed.



STEP
7

Ready to Merchandise

