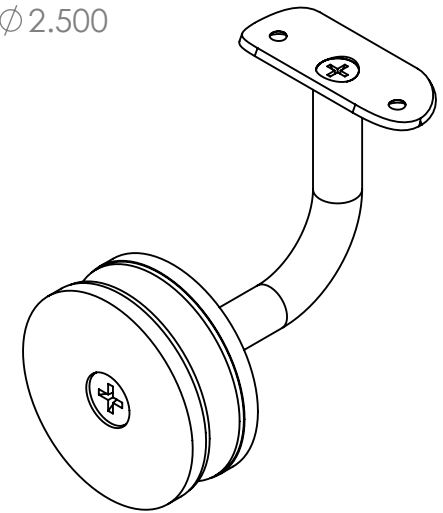
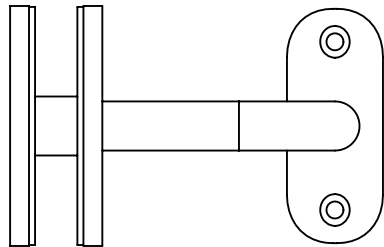
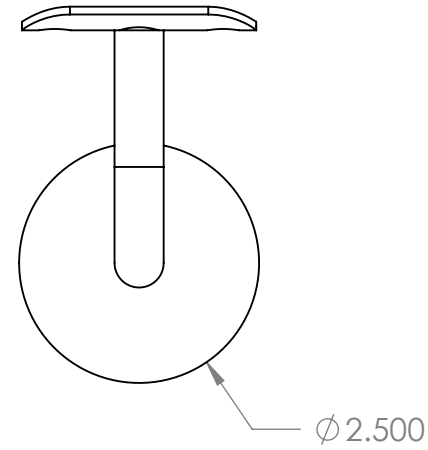
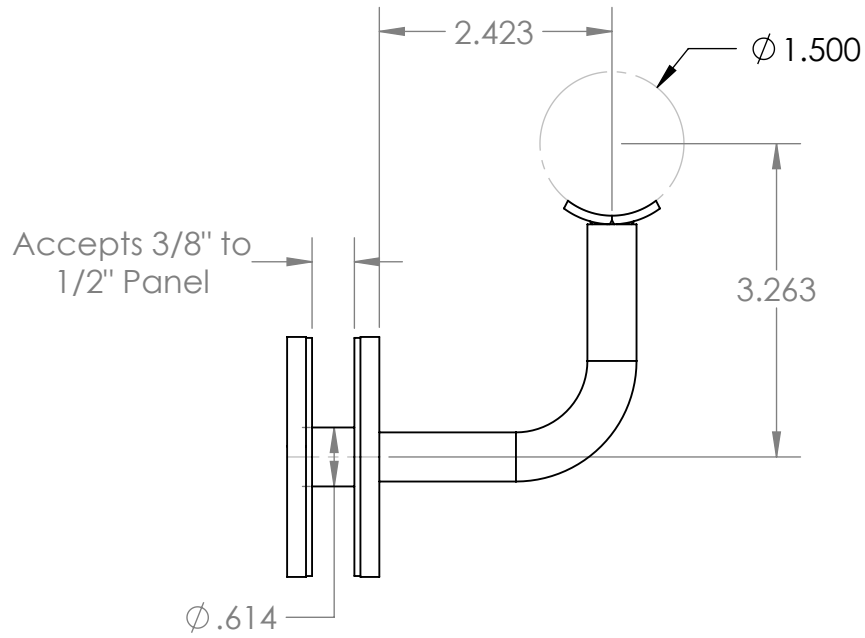


THE CONFIDENTIAL INFORMATION CONTAINED IN THIS DRAWING IS THE SOLE PROPERTY OF LAVI INDUSTRIES. ANY REPRODUCTION IN WHOLE OR IN PART WITHOUT WRITTEN PERMISSION OF LAVI INDUSTRIES IS PROHIBITED. 2016 (c) LAVI INDUSTRIES



INTERPRET THE DRAWING PER 3D MODEL

DESCRIPTION: GLASS MOUNT HANDRAIL BRACKET



DRAWN BY : SamayP

DATE: 8/11/2020

Call today to find out more about our exciting Railings lines : 800-624-6225

Primary dimensions are in INCHES  
Secondary dims (if present) are in mm

DWG NO.

XX-304-1H

REVISION:

L-001

DO NOT SCALE DRAWING

SHEET 1 OF 1