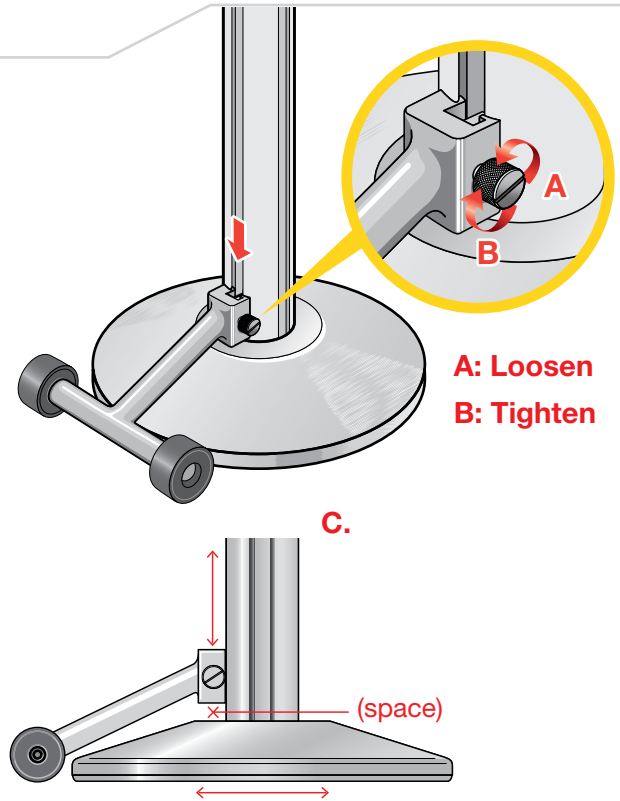


Transporter Wheel Attachment

Assembly Instructions

1. Loosen the knurled knob by turning counterclockwise (**Fig. A**) and fit grip connector into the dovetail groove of the Beltrac post.
2. Slide the attachment down the dovetail groove until the wheels make contact with the floor. Then tighten the knurled knob by turning clockwise (**Fig B**) until securely fastened. *TIP: Moving the attachment slightly from side to side while tightening the grip connector ensures the removal of any slack.*
3. To remove the wheel attachment, loosen the knurled knob and remove from the dovetail groove. *Again, moving it slightly from side to side during this process will assist in releasing the grip connector.*

SPECIAL NOTE: The grip connector must be parallel to the post and base, otherwise it may not be completely secure inside the dovetail groove upon tightening. This will leave a space between the bottom of the grip connector and the top of the base (**Fig C**).



Operating Instructions

- Place foot against crossbar of the Beltrac Wheel Attachment, firmly grasp the post and tilt back using your foot as a stopper.
- Once the full weight of the post is resting on the wheels, it is ready for transport. The post can be either pushed or pulled, depending on preference.
- Once the desired destination is reached, tilt the post upright to rest on its base, using a foot as a stopper to maintain control during placement of the post.

CAUTION

DO NOT use the Beltrac Wheel Attachment on stairs, steps or curbs as this may damage the post and/or the attachment.

DO NOT run with post/attachment. Be sure to maintain control of the post while in transit, especially on ramps and uneven surfaces.

