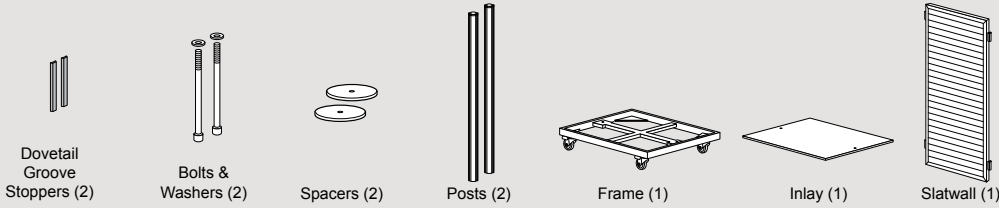


# How to Assemble NeXtrac Portable Display Fixture

## Parts List:

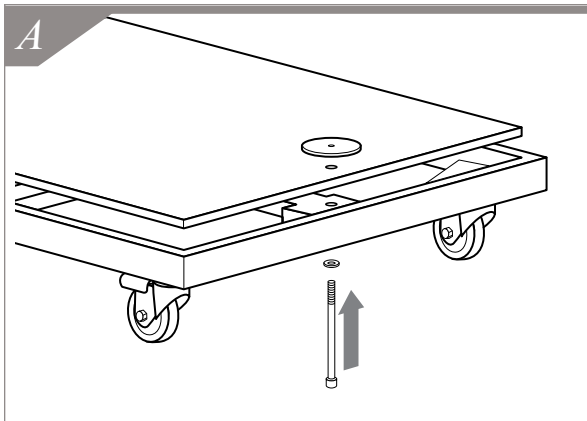


Goggles

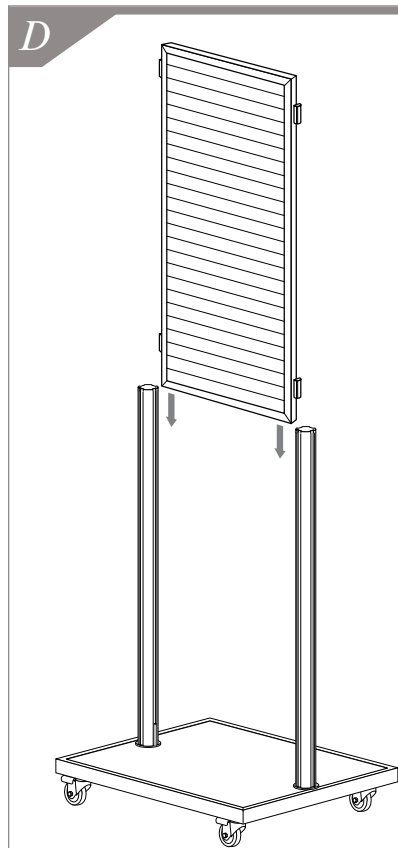
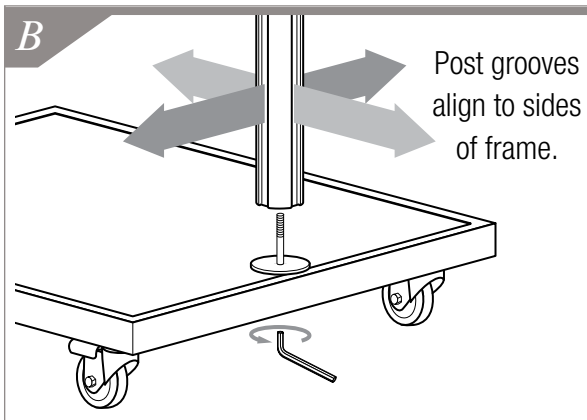


5/16" Allen Wrench  
(provided)

## Required Tools



1. Position Frame with Casters down to floor. Place Inlay into Frame, slide Bolt with Washer through Frame and Inlay. *See Figure A.*
2. Place Spacer over Bolt and thread Bolt into Post, ensuring dovetail grooves align square to assembly, using 5/16" Allen Wrench (provided). **Do not over-tighten bolts.** *See Figure B.*
3. Insert Dovetail Groove Stopper into the inside groove of post where you will be attaching the Slatwall Panel. Slide straight down the post's groove until it meets the base of the Post. *See Figure C.*



4. Repeat steps 2 and 3 for second Post.
5. Insert the Slatwall's dovetail hinges into each post's groove. Slide straight down until the Slatwall Panel meets the Stoppers. *See Figure D.*

