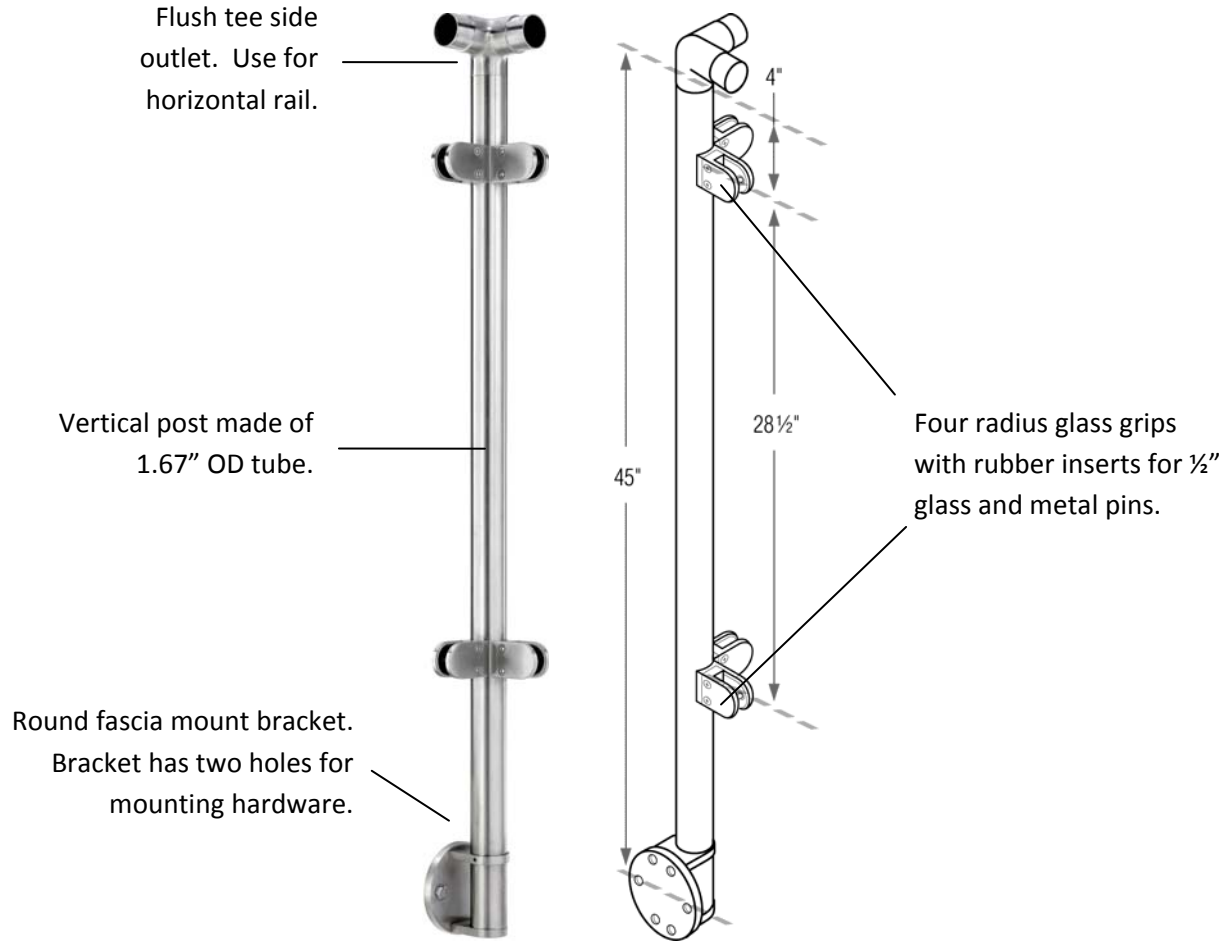


PART#G424/42/W/LG/L/FL 1/2" Glass, 42H, Fascia, Corner, Flush Fitting

- Use as a 90 degree corner post.



| MATERIAL, FINISHES, USAGE | | |
|---------------------------|---------|---------|
| | 304 SST | 316 SST |
| Polished | | |
| Circular Satin | | √ |
| Clear Coat | | |
| Indoor | | √ |
| Outdoor | | √ |

| MATERIAL CARE | |
|-----------------|--|
| Stainless Steel | Use metal cleaner and apply with a damp, soft cloth. |

| | |
|-------------------|---|
| INSTALLATION | Mount fascia bracket at correct location to ensure 42" handrail height from floor / stair. Use hardware appropriate for material on which bracket is being mounted. Place tube on fascia bracket and tighten set screw to tube. |
| HARDWARE INCLUDED | --- |
| USE TOGETHER WITH | 1.67" OD tube for handrail (A114). |