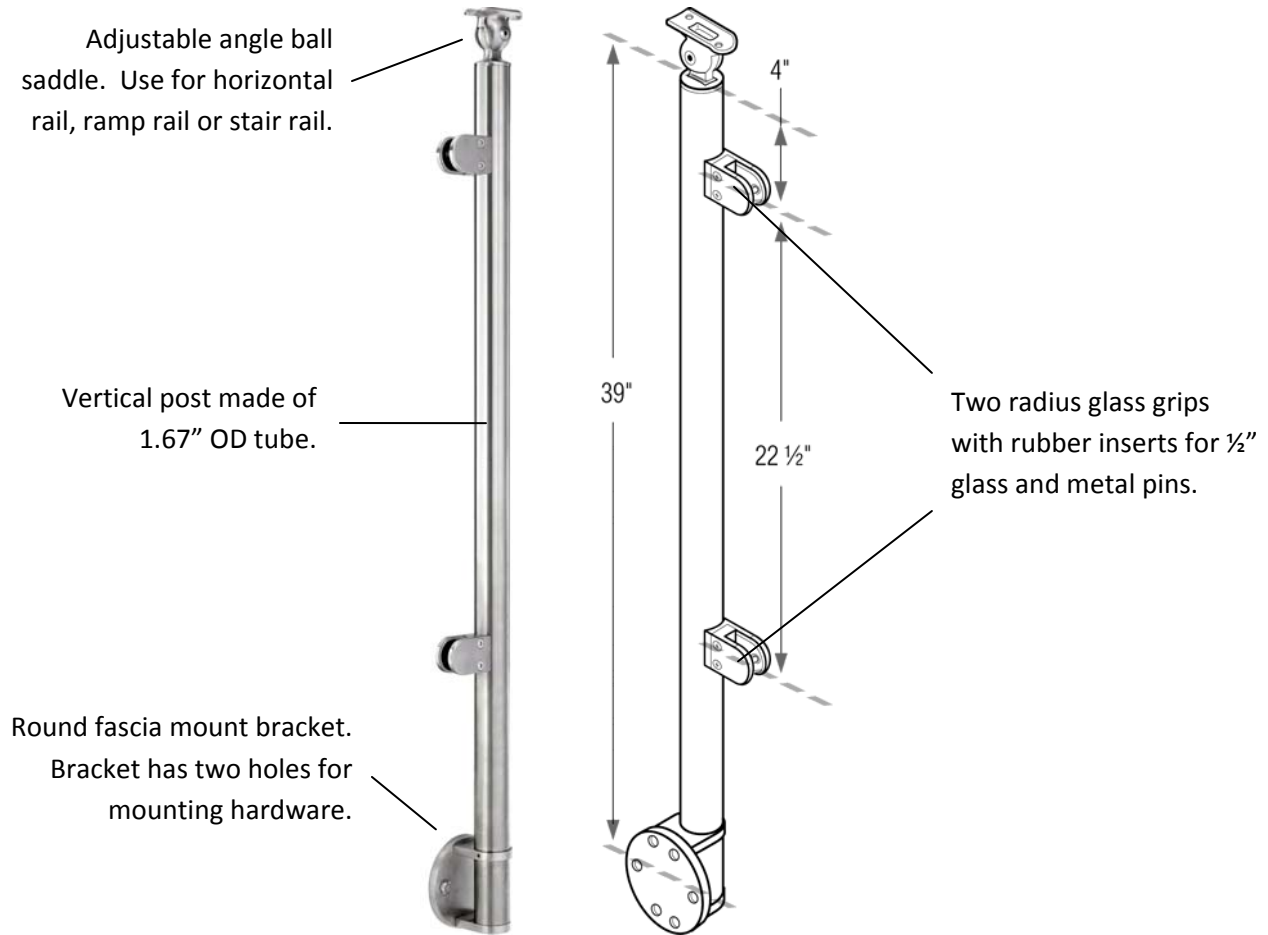


PART#G424/36/W/LG/E/BS 1/2" Glass, 36H, Fascia, End, Adjustable Ball Saddle

- Use as an end post on horizontal rail and stairs or combine two posts at an angle to create a corner.



MATERIAL, FINISHES, USAGE		
	304 SST	316 SST
Polished		
Circular Satin		√
Clear Coat		
Indoor		√
Outdoor		√

MATERIAL CARE	
Stainless Steel	Use metal cleaner and apply with a damp, soft cloth.

INSTALLATION	Mount fascia bracket at correct location to ensure 34-38" handrail height from floor / stair. Use hardware appropriate for material on which bracket is being mounted. Place tube on fascia bracket and tighten set screw to tube.
HARDWARE INCLUDED	2 x 1/4-20 x 1/2" Philips Flat Head Machine Screw (316SST) to connect post to handrail tube.
USE TOGETHER WITH	1.67" OD tube for handrail (A114).