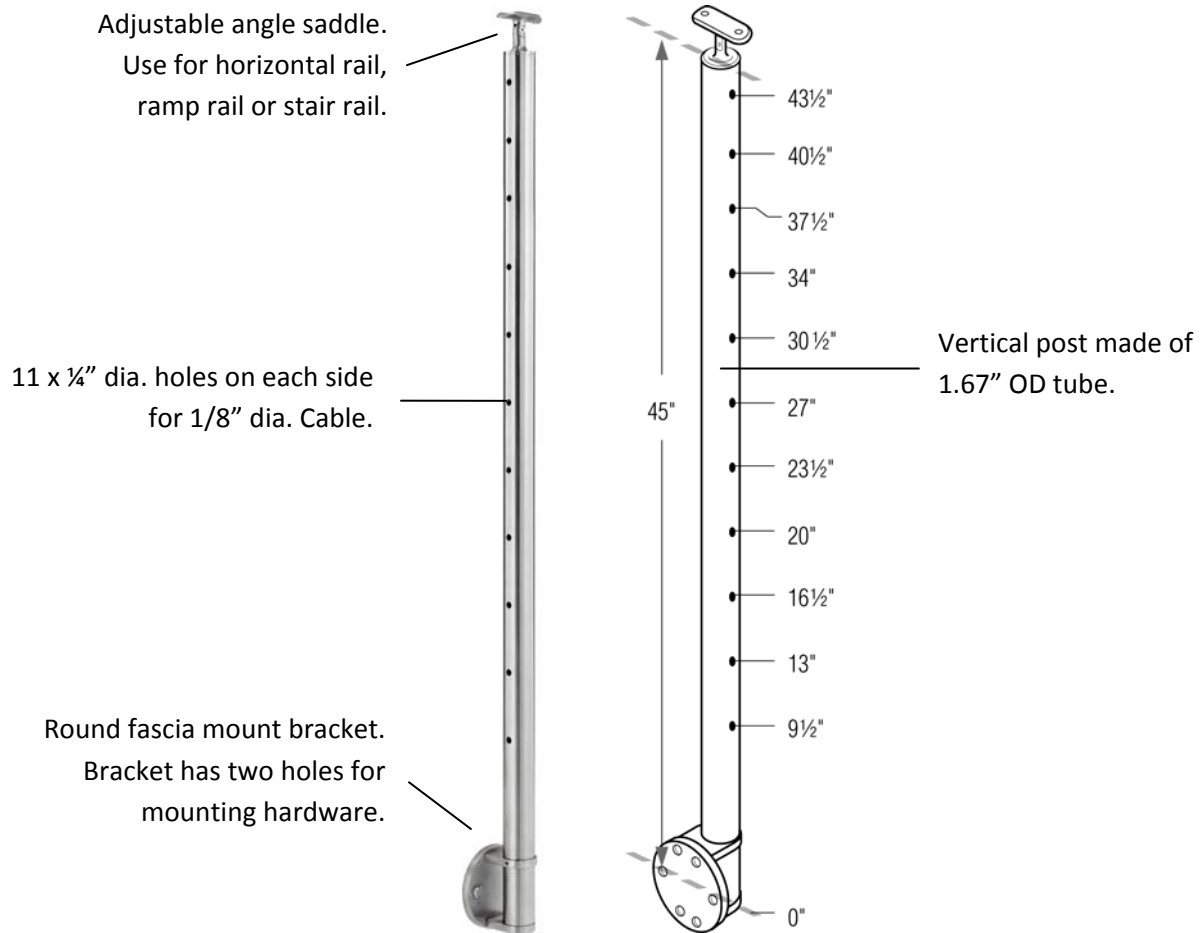


**PART#C424/42/W/SM/S/AS 1/8" Cable, 42H, Fascia, Stair, Adjustable Saddle**

- Use as a center post on stairs. Hole locations are offset. Specify stair tread and rise dimensions.



MATERIAL, FINISHES, USAGE		
	304 SST	316 SST
Polished		
Circular Satin		√
Clear Coat		
Indoor		√
Outdoor		√

MATERIAL CARE	
Stainless Steel	Use metal cleaner and apply with a damp, soft cloth.

<b>INSTALLATION</b>	Mount fascia bracket at correct location to ensure 42" handrail height from floor / stair. Use hardware appropriate for material on which bracket is being mounted. Place tube on fascia bracket and tighten set screw to tube.
<b>HARDWARE INCLUDED</b>	2 x 10-24 Philips Flat Head Machine Screw (316SST) to connect post to handrail tube.
<b>USE TOGETHER WITH</b>	1.67" OD tube for handrail (A114) and 1/8" cable rail assemblies.