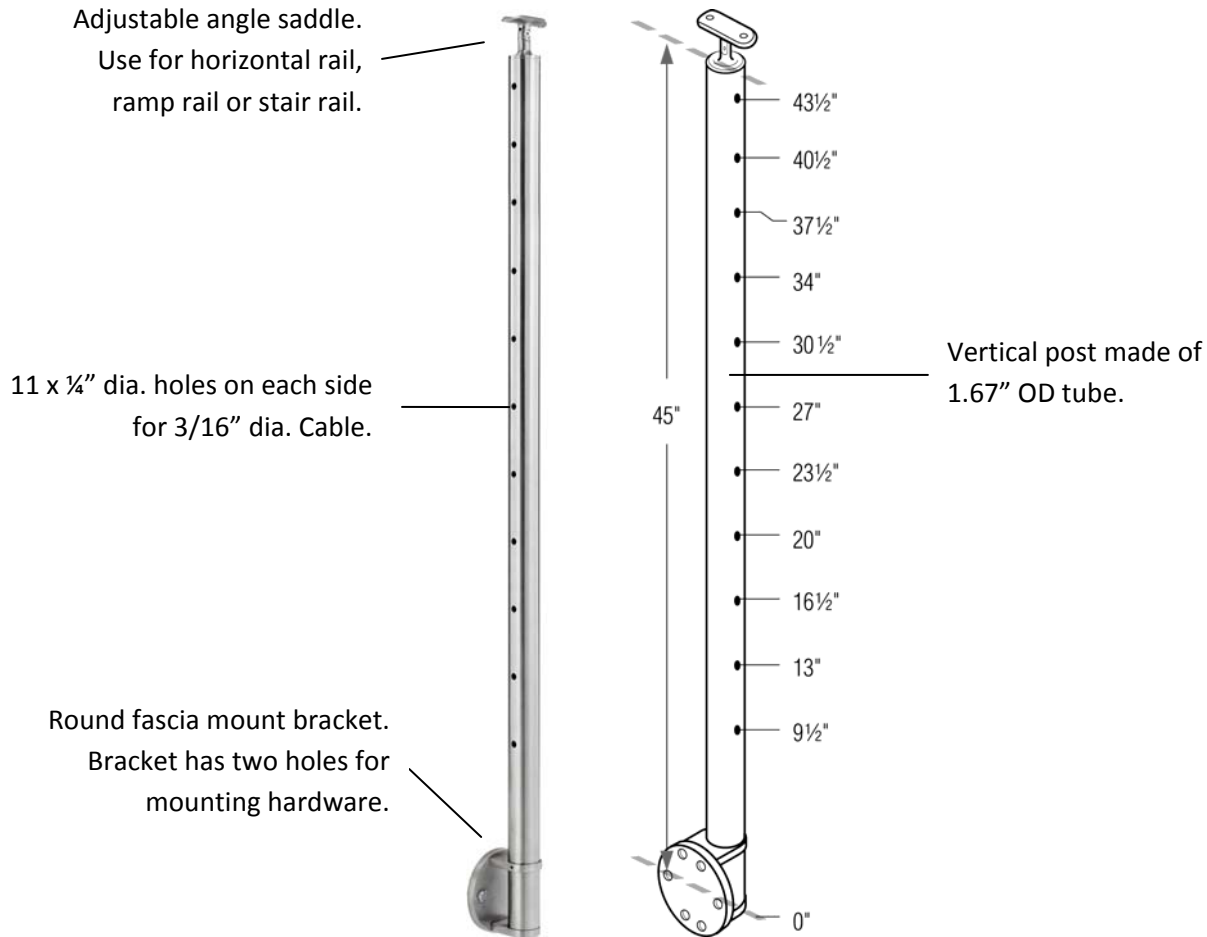


PART#C424/42/W/MD/C/AS 3/16" Cable, 42H, Fascia, Center, Adj Saddle

- Use as a center post.



MATERIAL, FINISHES, USAGE		
	304 SST	316 SST
Polished		
Circular Satin		√
Clear Coat		
Indoor		√
Outdoor		√

MATERIAL CARE	
Stainless Steel	Use metal cleaner and apply with a damp, soft cloth.

INSTALLATION	Mount fascia bracket at correct location to ensure 42" handrail height from floor / stair. Use hardware appropriate for material on which bracket is being mounted. Place tube on fascia bracket and tighten set screw to tube.
HARDWARE INCLUDED	2 x 10-24 Philips Flat Head Machine Screw (316SST) to connect post to handrail tube.
USE TOGETHER WITH	1.67" OD tube for handrail (A114) and 3/16" cable rail assemblies.