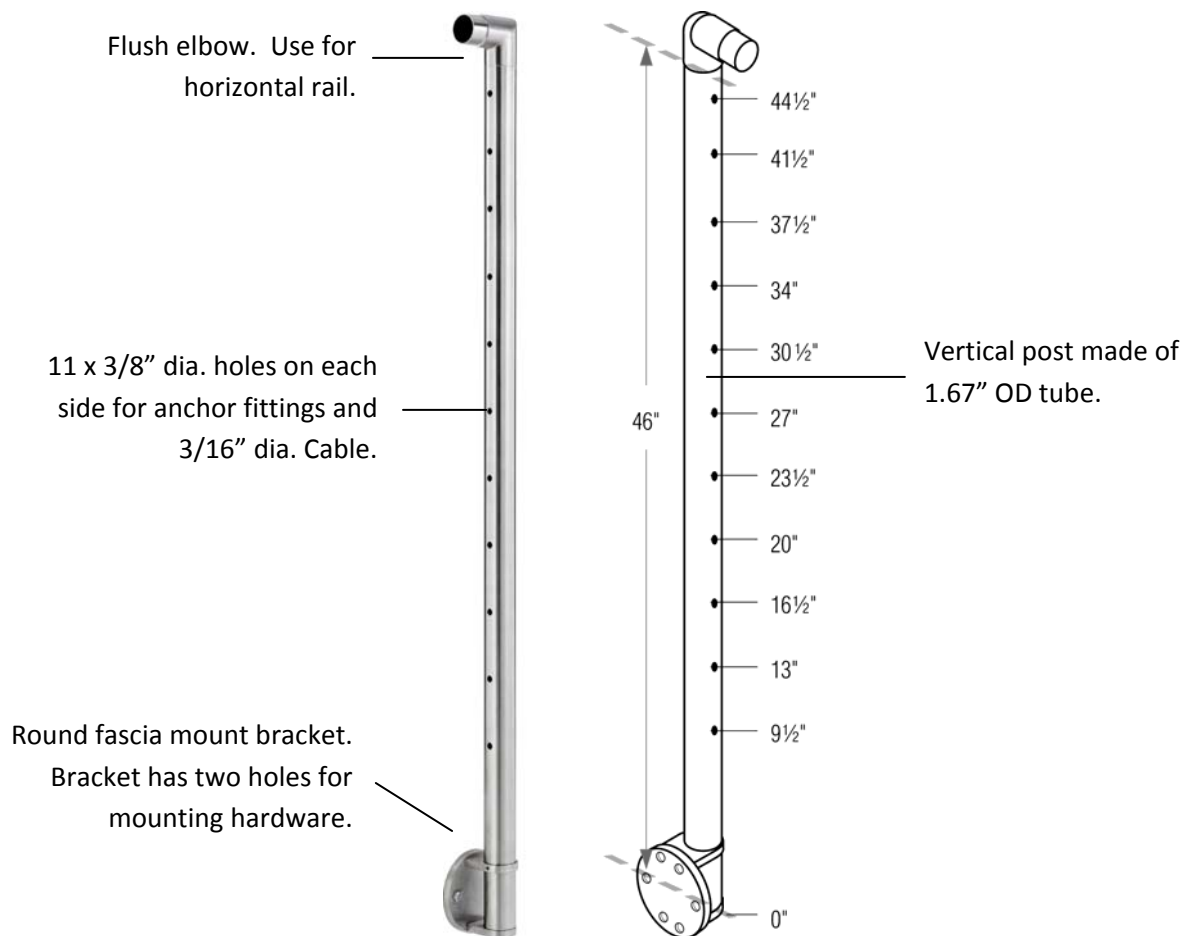


C424/42/W/MD/A/FE

3/16" Cable, 42H, Fascia, Anchor, Flush Fitting

- Use as an end post.



MATERIAL, FINISHES, USAGE		
	304 SST	316 SST
Polished		
Circular Satin		√
Clear Coat		
Indoor		√
Outdoor		√

MATERIAL CARE	
Stainless Steel	Use metal cleaner and apply with a damp, soft cloth.

INSTALLATION	Mount fascia bracket at correct location to ensure 42" handrail height from floor / stair. Use hardware appropriate for material on which bracket is being mounted. Place tube on fascia bracket and tighten set screw to tube.
HARDWARE INCLUDED	---
USE TOGETHER WITH	1.67" OD tube for handrail (A114) and 3/16" cable rail assemblies.