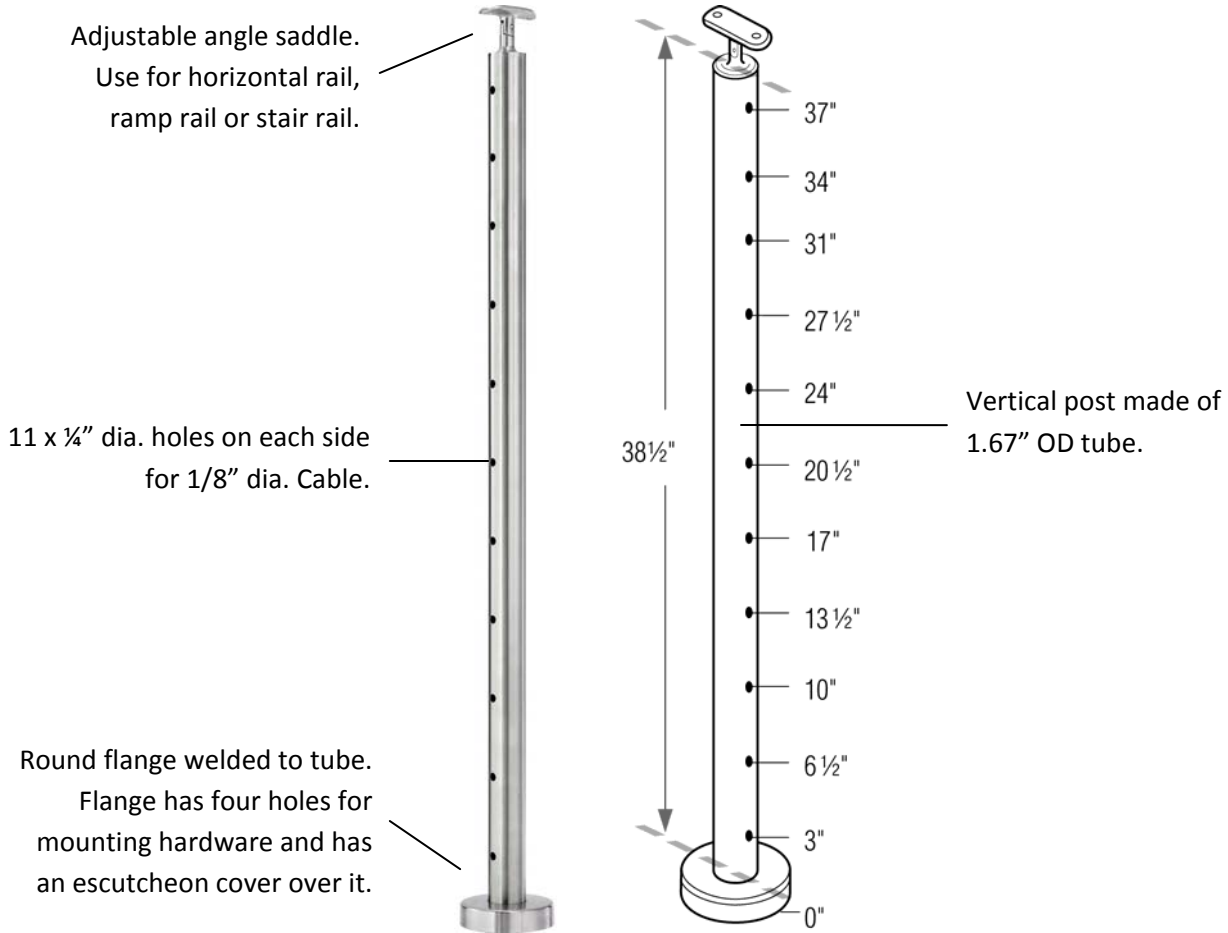


PART#C424/42/F/SM/S/AS 1/8" Cable, 42H, Flange, Stair, Adjustable Saddle

- Use as a center post on stairs. Hole locations are offset. Specify stair tread and rise dimensions.



| MATERIAL, FINISHES, USAGE | | |
|---------------------------|---------|---------|
| | 304 SST | 316 SST |
| Polished | | |
| Circular Satin | | √ |
| Clear Coat | | |
| Indoor | | √ |
| Outdoor | | √ |

| MATERIAL CARE | |
|-----------------|--|
| Stainless Steel | Use metal cleaner and apply with a damp, soft cloth. |

| | |
|-------------------|---|
| INSTALLATION | Lift flange canopy. Bolt flange to the ground using hardware appropriate for the surface that it is being mounted on. Lower canopy and secure with silicone (optional). |
| HARDWARE INCLUDED | 2 x 10-24 Philips Flat Head Machine Screw (316SST) to connect post to handrail tube. |
| USE TOGETHER WITH | 1.67" OD tube for handrail (A114) and 1/8" cable rail assemblies. |