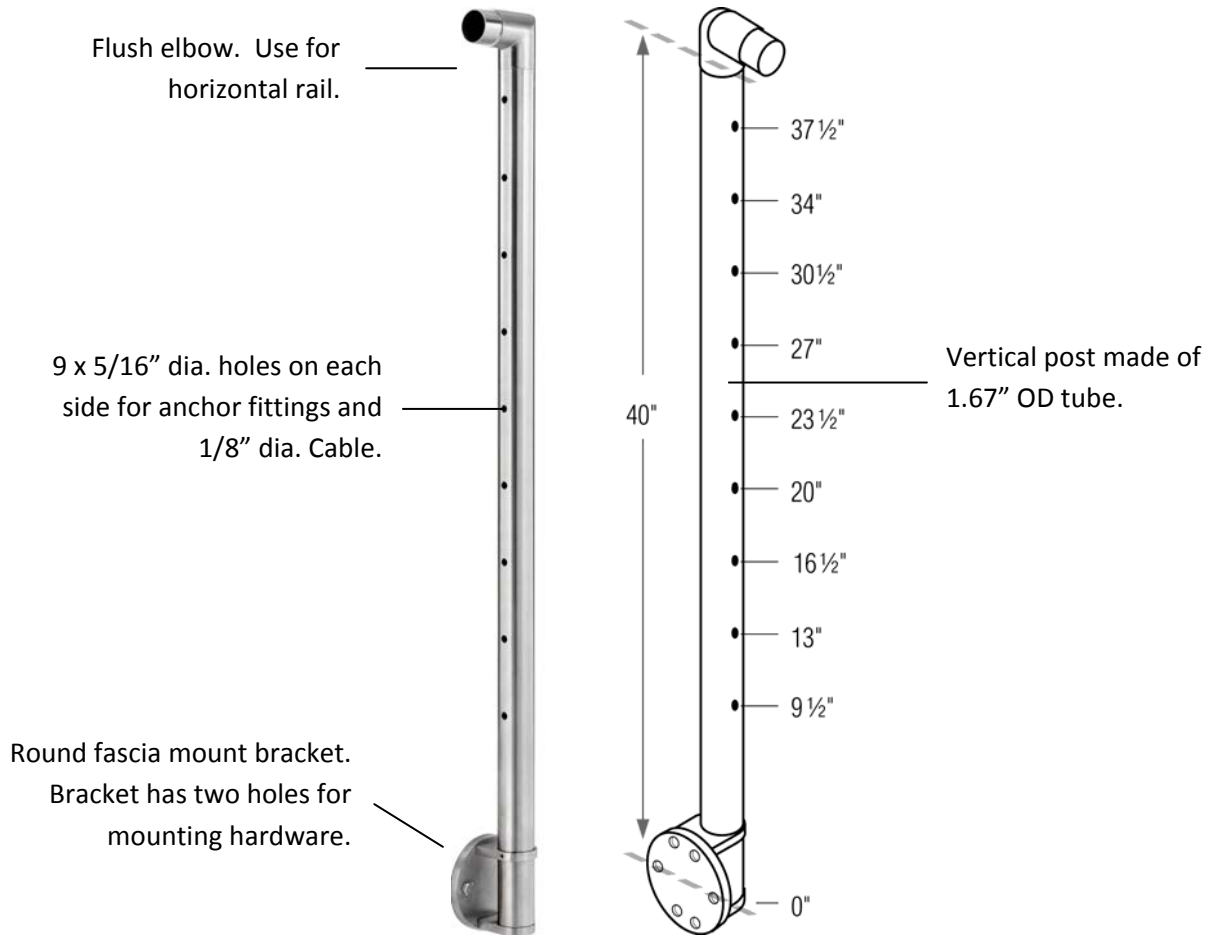


**PART#C424/36/W/SM/A/FE 1/8" Cable, 36H, Fascia, Anchor, Flush Fitting**

- Use as an end post.



MATERIAL, FINISHES, USAGE		
	304 SST	316 SST
Polished		
Circular Satin		√
Clear Coat		
Indoor		√
Outdoor		√

MATERIAL CARE	
Stainless Steel	Use metal cleaner and apply with a damp, soft cloth.

<b>INSTALLATION</b>	Mount fascia bracket at correct location to ensure 34-38" handrail height from floor / stair. Use hardware appropriate for material on which bracket is being mounted. Place tube on fascia bracket and tighten set screw to tube.
<b>HARDWARE INCLUDED</b>	---
<b>USE TOGETHER WITH</b>	1.67" OD tube for handrail (A114) and 1/8" cable rail assemblies.