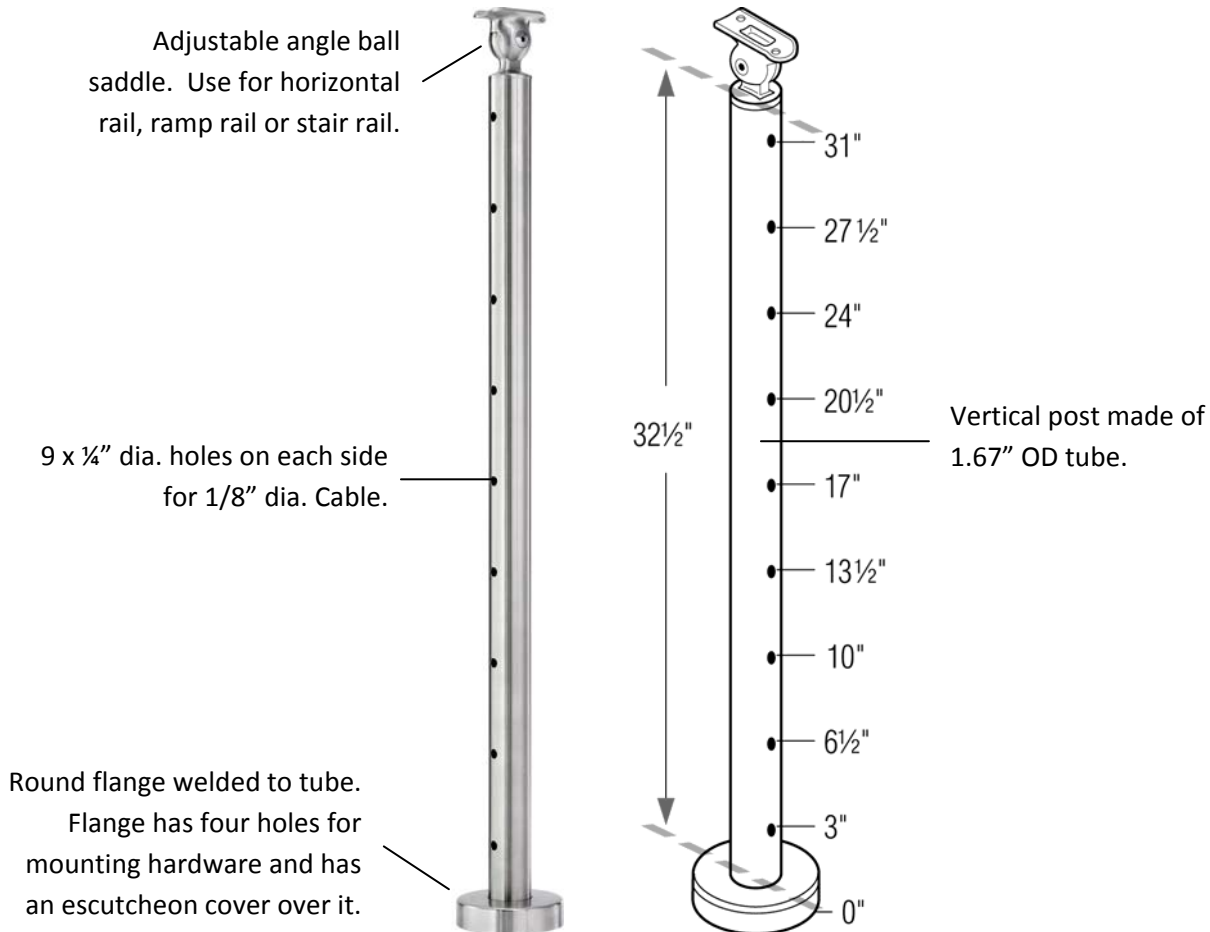


**PART# C424/36/F/SM/S/BS 1/8" Cable, 36H, Flange, Stair, Adj Ball Saddle**

- Use as a center post on stairs. Hole locations are offset. Specify stair tread and rise dimensions.



| MATERIAL, FINISHES, USAGE |         |         |
|---------------------------|---------|---------|
|                           | 304 SST | 316 SST |
| Polished                  |         |         |
| Circular Satin            |         | √       |
| Clear Coat                |         |         |
| Indoor                    |         | √       |
| Outdoor                   |         | √       |

| MATERIAL CARE   |  |
|-----------------|--|
| Stainless Steel | Use metal cleaner and apply with a damp, soft cloth. |

|                   |   |
|-------------------|---|
| INSTALLATION      | Lift flange canopy. Bolt flange to the ground using hardware appropriate for the surface that it is being mounted on. Lower canopy and secure with silicone (optional). |
| HARDWARE INCLUDED | 2 x 1/4"-20 x 1/2" Philips Flat Head Machine Screw (316SST) to connect post to handrail tube.   |
| USE TOGETHER WITH | 1.67" OD tube for handrail (A114) and 1/8" cable rail assemblies.   |