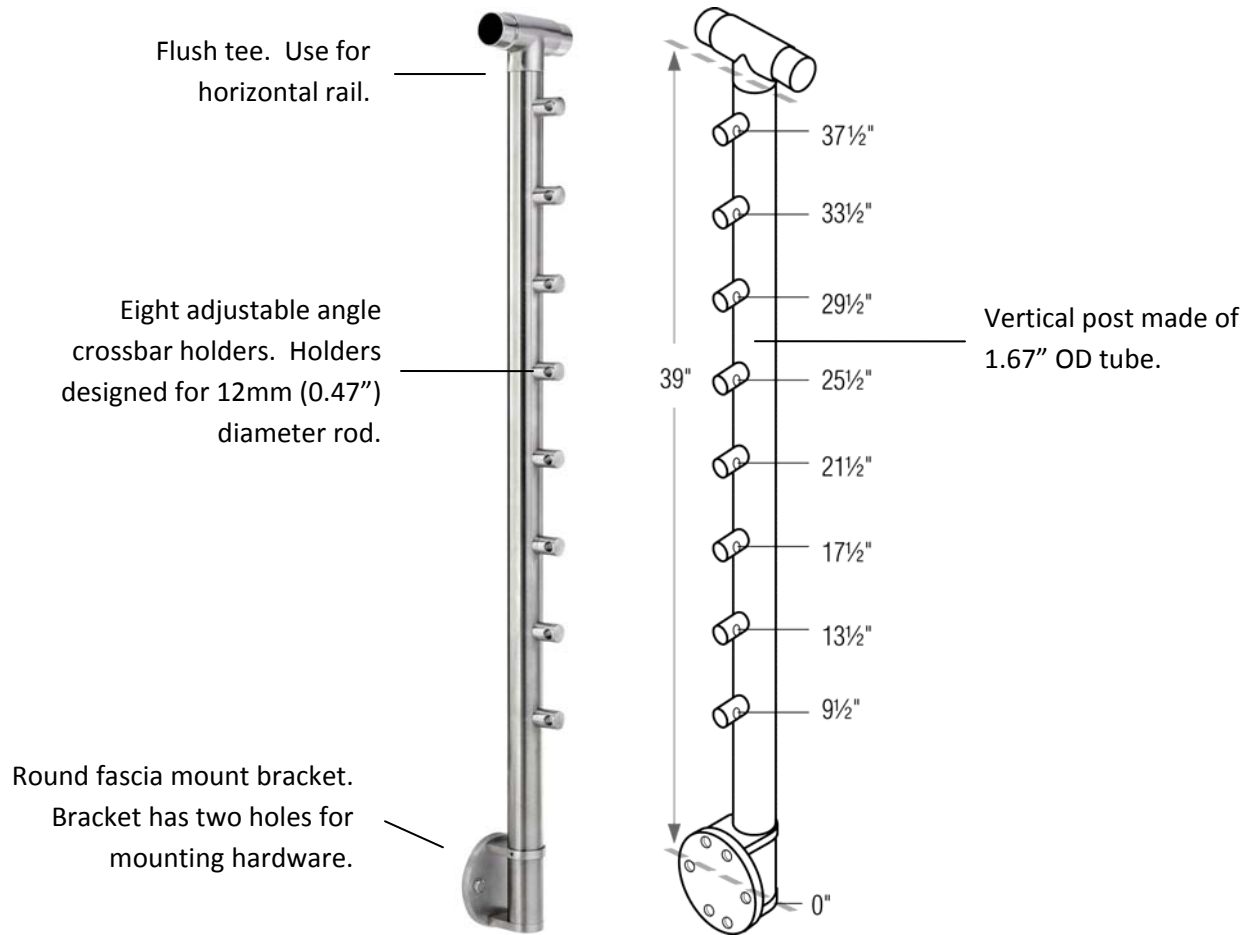


PART#B424/36/W/MD/FT Crossbar, 36H, Fascia, Center, Flush Fitting

- Use as a center post and together with flush fitting end posts.
- Use two center posts together at an angle to create a corner.



MATERIAL, FINISHES, USAGE		
	304 SST	316 SST
Polished		
Circular Satin		√
Clear Coat		
Indoor		√
Outdoor		√

MATERIAL CARE	
Stainless Steel	Use metal cleaner and apply with a damp, soft cloth.

INSTALLATION	Mount fascia bracket at correct location to ensure 34-38" handrail height from floor / stair. Use hardware appropriate for material on which bracket is being mounted. Place tube on fascia bracket and tighten set screw to tube.
HARDWARE INCLUDED	---
USE TOGETHER WITH	1.67" OD tube for handrail (A114), 0.47" OD solid rod (R038) as railing infill.