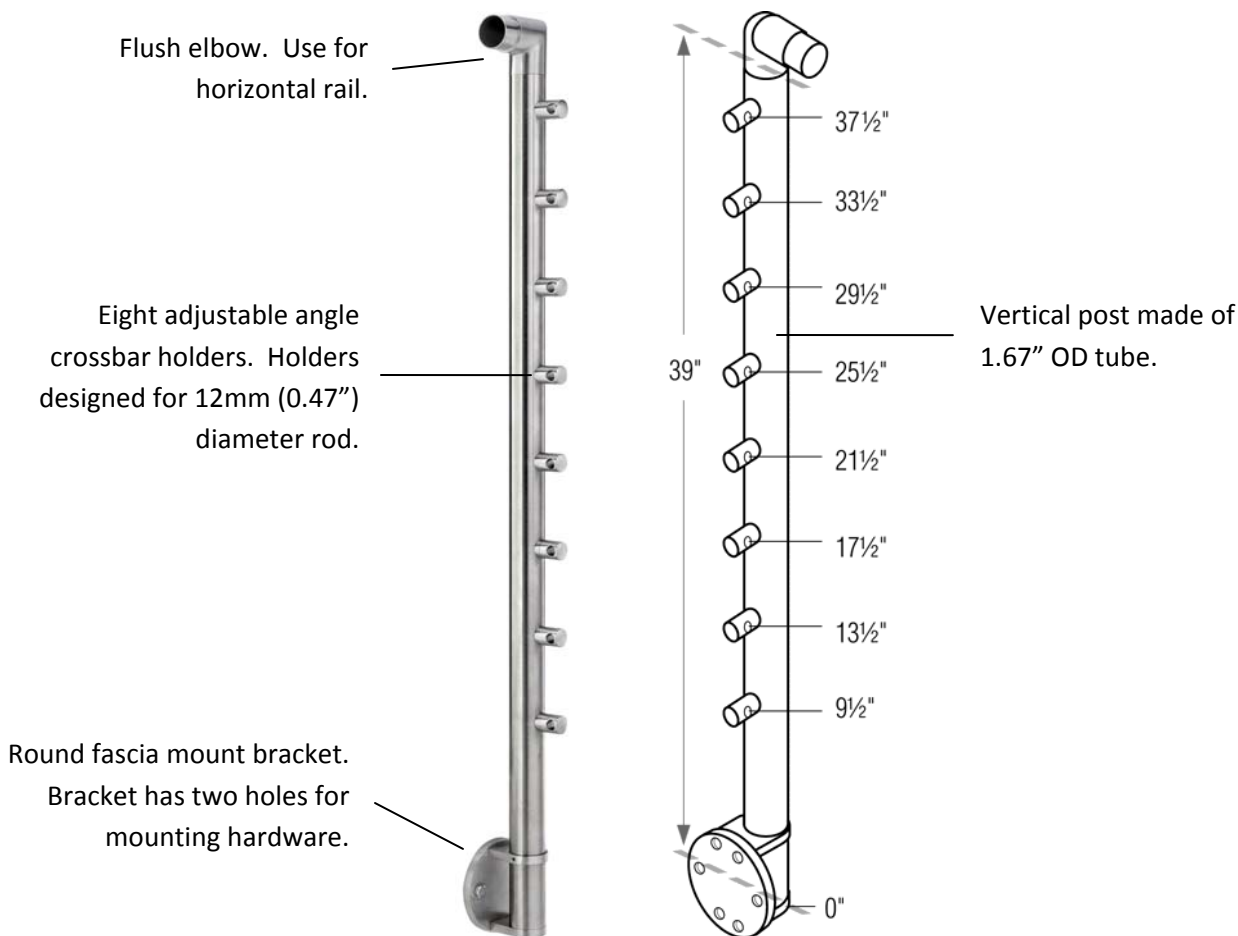


**PART#B424/36/W/MD/FE Crossbar, 36H, Fascia, End, Flush Fitting**

- Use as an end post and together with center flush fitting posts.



MATERIAL, FINISHES, USAGE		
	304 SST	316 SST
Polished		
Circular Satin		✓
Clear Coat		
Indoor		✓
Outdoor		✓

MATERIAL CARE	
<b>Stainless Steel</b>	Use metal cleaner and apply with a damp, soft cloth.

<b>INSTALLATION</b>	Mount fascia bracket at correct location to ensure 34-38" handrail height from floor / stair. Use hardware appropriate for material on which bracket is being mounted. Place tube on fascia bracket and tighten set screw to tube.
<b>HARDWARE INCLUDED</b>	---
<b>USE TOGETHER WITH</b>	1.67" OD tube for handrail (A114), 0.47" OD solid rod (R038) as railing infill.