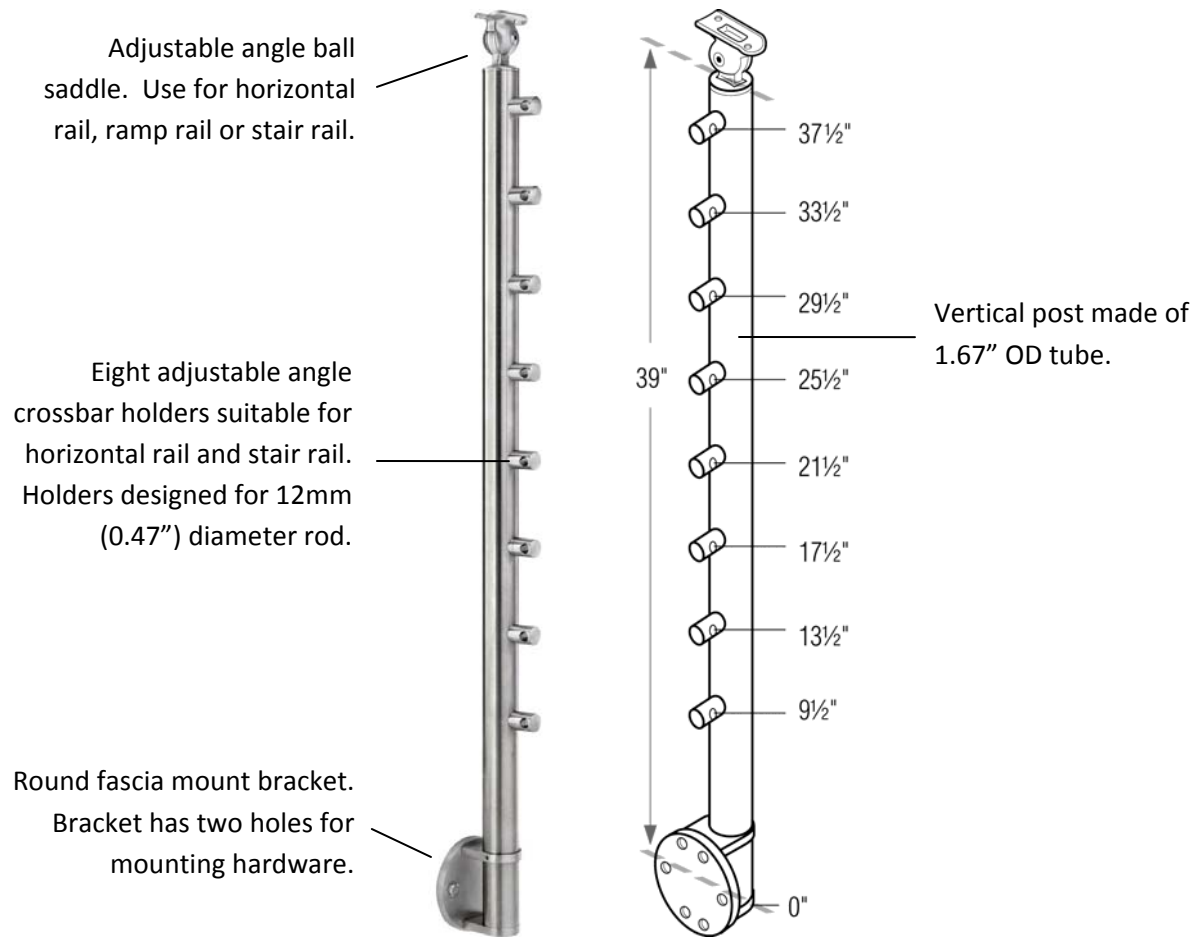


PART#B424/36/W/MD/BS

Crossbar, 36H, Fascia, Adjustable Ball Saddle

- Use as a center post or combine two posts at an angle to create a corner.



MATERIAL, FINISHES, USAGE		
	304 SST	316 SST
Polished		
Circular Satin		✓
Clear Coat		
Indoor		✓
Outdoor		✓

MATERIAL CARE	
Stainless Steel	Use metal cleaner and apply with a damp, soft cloth.

INSTALLATION	Mount fascia bracket at correct location to ensure 34-36" handrail height from floor / stair. Place tube on fascia bracket and tighten set screw to tube. Mount handrail tube on top bracket / fitting.
HARDWARE INCLUDED	2 x 1/4"-20 x 1/2" Philips Flat Head Machine Screw (316SST) to connect post to handrail tube.
USE TOGETHER WITH	1.67" OD tube for handrail (A114), 0.47" OD solid rod (R038) as railing infill.