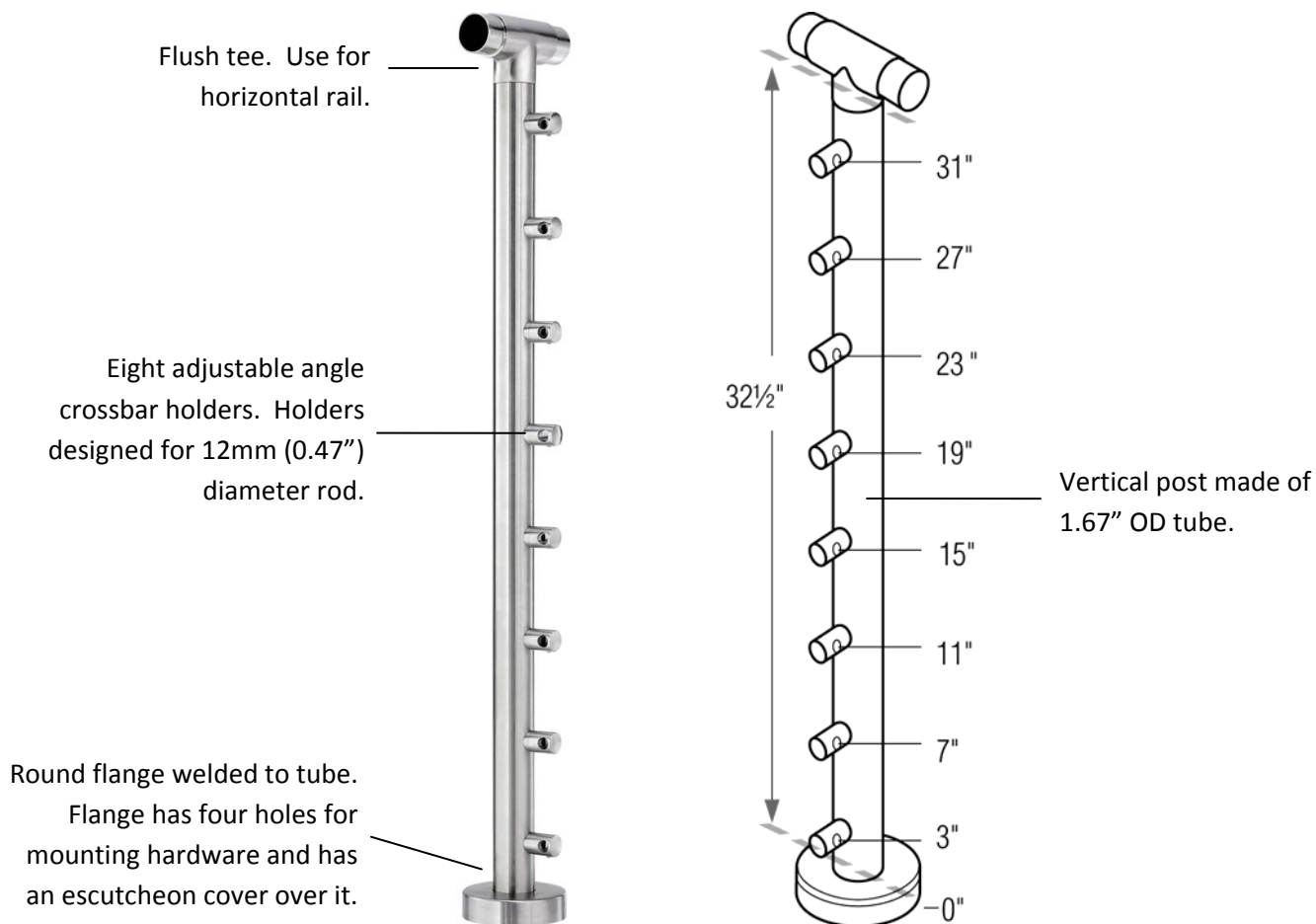


**PART#B424/36/F/MD/FT Crossbar, 36H, Flange, Center, Flush Fitting**

- Use as a center post and together with flush fitting end posts.
- Use two center posts together at an angle to create a corner.



MATERIAL, FINISHES, USAGE		
	304 SST	316 SST
Polished		
Circular Satin		✓
Clear Coat		
Indoor		✓
Outdoor		✓

MATERIAL CARE	
<b>Stainless Steel</b>	Use metal cleaner and apply with a damp, soft cloth.

<b>INSTALLATION</b>	Remove bottom crossbar holder and lift flange canopy. Bolt flange to the ground using hardware appropriate for the surface that it is being mounted on. Lower canopy and replace bottom crossbar holder. Cut top handrail to length to fit between posts.
<b>HARDWARE INCLUDED</b>	---
<b>USE TOGETHER WITH</b>	1.67" OD tube for handrail (A114), 0.47" OD solid rod (R038) as railing infill.